

# Belt Drives for Softails®

EVO & TWIN CAM

# Streetwise Savings

**NEW!**



New Belt Drives  
& Accessories  
Retrofit For  
Expanded Applications

Softail® Beltdrive Kits fit both Evo and TwinCam 1990-2006 Softail® with no modifications needed. The aluminum backing plate is billet 6061-T6. This will give your bike the custom look of an open beltdrive. The option for four designs of outboard support is also available.



### 3.35" Softail® Belt Drives for Evo & Twin Cam

- \$ave 58-700** Cast backing plate, Drag Style Belt Drive Assembly Polished, 1990-2006
- \$ave 58-800** Billet Aluminum backing plate, Drag Style Belt Drive Assembly, Polished, 1990-2006
- \$ave 58-801** Billet Aluminum backing plate, Drag Style Belt Drive Assembly, Machine Finish only, 1990-2006
- \$ave 58-730** Street Style Belt Drive Assembly, machine finish only. Cast backing plate. 1990-2006



### Replacement Belt

- \$ave 58-903** 3.35" Belt, Goodyear 140t,



Optional Quarter Guards for front also available. (See 3rd page of flyer)

### 2" Softail® Belt Drives for Evo (Twin Cam coming soon!)

- \$ave 58-850** 2" Belt Dive Assy, Polished. 1990-1999.
- \$ave 58-851** 2" Belt Dive Assy. Machine Finished

### Replacement Belt

- \$ave 58-901** 3.35" Belt, Goodyear 140t.



All Prices Subject To Change.

# Belt Drives for Dyna

EVO & TWIN CAM

# Streetwise Savings

**NEW!**



Dyna Beltdrive Kits fit both Evo and TwinCam 1991-2005 Dynas with no modifications needed. The aluminum backing plate is billet 6061-T6. This will give your bike the custom look of an open beltdrive. The option for four designs of outboard support is also available. \*Instructions included and available online @ [www.ultimaproducts.com](http://www.ultimaproducts.com).



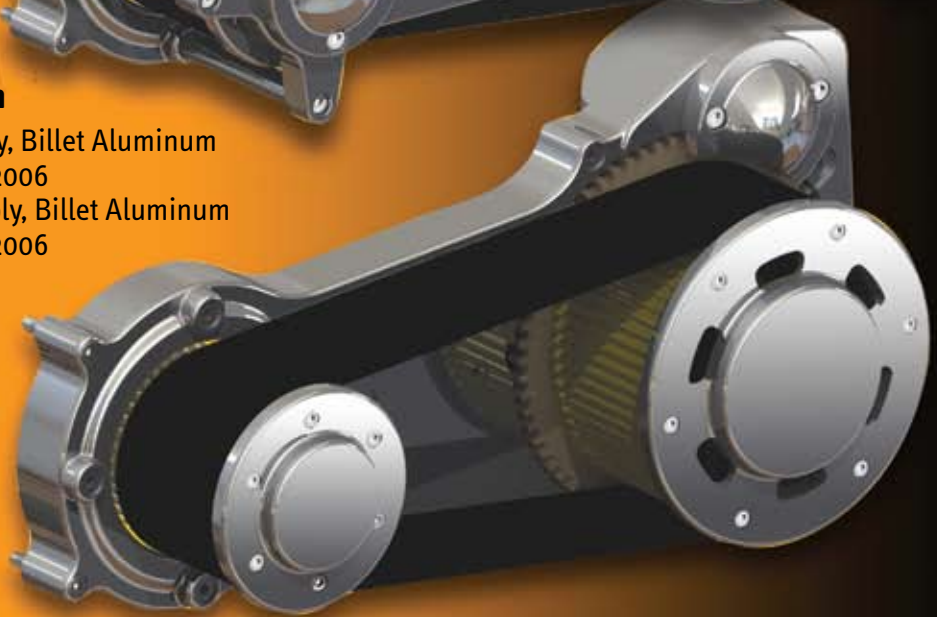
### 3.35" Dyna Belt Drives for Evo & Twin Cam

**\$ave 58-904** Drag Style Belt Drive Assembly, Billet Aluminum backing plate, Polished, 1990-2006

**\$ave 58-902** Street Style Belt Drive Assembly, Billet Aluminum backing plate, Polished, 1990-2006

### Replacement Belt

**\$ave 58-903** 3.35" Belt, Goodyear 140t.



**Price: Smart Economy !**  
**Engineering: Savvy Design !**  
**Quality: Sturdy Construction !**



Optional Quarter Guards for front also available. (See 3rd page of flyer)  
\*Instructions included and available online @ [www.ultimaproducts.com](http://www.ultimaproducts.com).

### 2" Dyna Belt Drive for Evo & Twin Cam

**\$ave 58-900** 2" Belt Drive Assembly 1990-2006

### Replacement Belt

**\$ave 58-901** 2" Belt, Goodyear 140t.

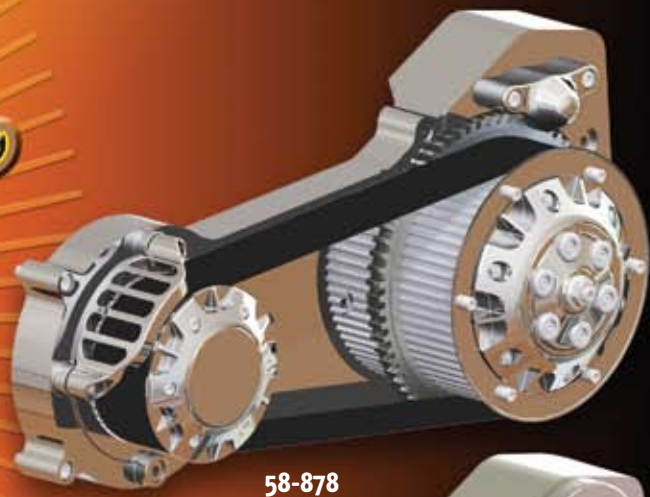


All Prices Subject To Change.

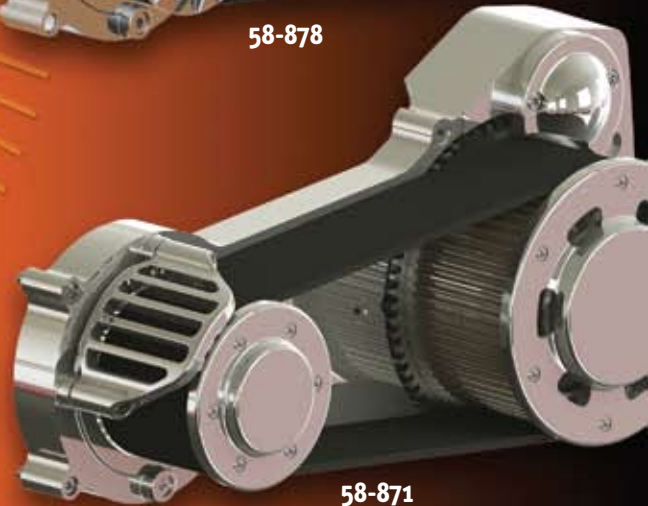
# Belt Drive Armory

COVER GUARDS & OUTBOARD SUPPORTS

**NEW!**



58-878



58-871



58-907



58-909



58-915

## Quarter Grill Pulley Cover for 3.35" & 2" Belt Drives

All Cover Guards come with a polished finish and all necessary hardware & instructions for installation.

**\$ave 58-878** Quarter Grill Pulley Cover for 2" Belt Drive.

**\$ave 58-871** Quarter Grill Pulley Cover for 3.35" Belt Drive.

## Outboard supports for Dyna & Softail Belt Drives\*

All Outboard supports are CNC machined from billet aluminum and polished. Outboard option offers rigid support for pulleys as well as extra protection from the exposed moving belt. This is an obvious choice for those who prefer monstrous motors like the Ultima El Bruto series!

**Outboard Kit for Street Style upgrade includes pulley covers, spacers, bolts, bearings, and bearing covers.**

**\$ave 58-907** Outboard Kit for Street Style upgrade.

**\$ave 58-909** Outboard Kit for Street Style upgrade.

**\$ave 58-915** Outboard Kit for Street Style upgrade.

\* Fits New Dyna Beltdrives and the revised Softail® Beltdrives using the 58-935 & 58-940 motor plates. Will not fit the older Ultima® Softail® Beltdrives due to a difference in center to center distance.



# Belt Drives for Baggers

EVO & TWIN CAM

# COMING SOON!



For 1990 - 2006 FXR & FLT  
Evo & Twin Cam



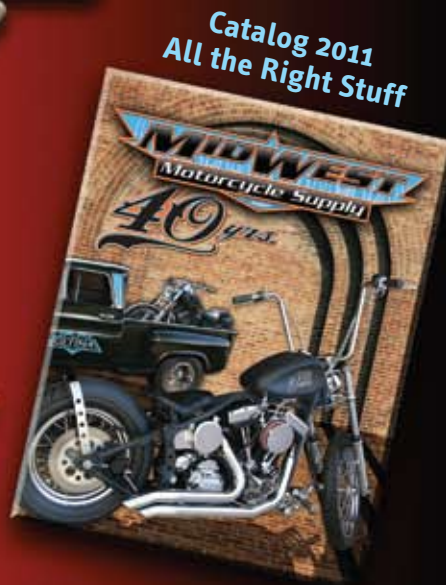
**We're Opening Up a World  
of Belt Drive Possibilities!  
Customize Your Bagger  
at a Low Low Price**

Distributed Exclusively By:



Call your Midwest  
Sales Rep for everything  
you need now and plan for  
future savings: [midwest@midwestmc.net](mailto:midwest@midwestmc.net)

2100 Hwy Z, Pevely, MO 63070  
[www.midwestmc.net](http://www.midwestmc.net)



Catalog 2011  
All the Right Stuff