

# WEEK LONG SALE



**SALE: SEP 6-13**

**MIDWEST**  
Motorcycle Supply

## ULTIMA® 6° BAGGER TRIPLE TREES

Now you can properly rake your Baggers when running a 21" or 23" front wheel. No frame modifications required.

**29A105** 6 degree triple trees for 97-13 Touring models.  
Will NOT fit Road Kings®





# ULTIMA® HANDLEBAR CONTROL KITS



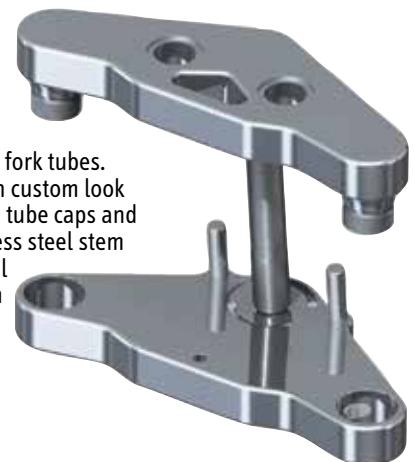
- 47A700** For '96-'12, 9/16" Bore master cylinder, **Black**
- 47A702** For Touring w/ Radio, '08-'13, 15mm Bore master cylinder, **Chrome**
- 47A703** For Touring w/ Radio, Cruise Control, '08-'13, 15mm Bore master cylinder, **Chrome**
- 47A704** For Touring w/ Radio, '96-'07, 11/16" Bore master cylinder, **Chrome**
- 47A705** For Touring w/ Radio, Cruise Control, '96-'07, 11/16" Bore master cylinder, **Chrome**
- 47A707** For '82-'95, 3/4" Bore master cylinder, **Chrome**



## ULTIMA® BILLET BLIND TREE



Chrome plated billet trees for 41MM fork tubes. These trees offer an extremely clean custom look without the clutter of the stock style tube caps and stem nut. Features include a stainless steel stem with hidden stem nut, stainless steel fork tube plug holders, and a hole in the bottom tree to be used as a headlight mount. Tree is made with both internal & external fork stops.

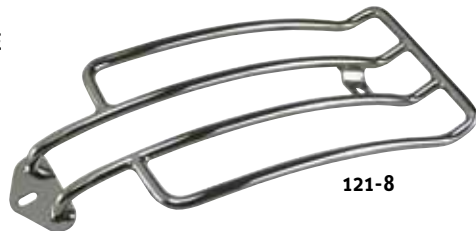


**29A87** 5 Degree Blind Billet trees

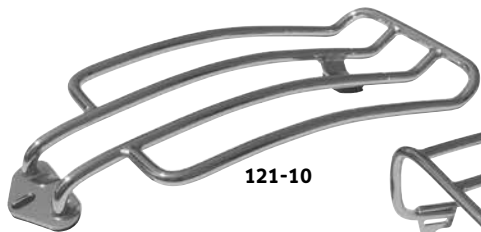
**NOTE:** Internal stop trees must use MW#5-252 style head cups.

# LUGGAGE RACKS FOR SOLO BIKES

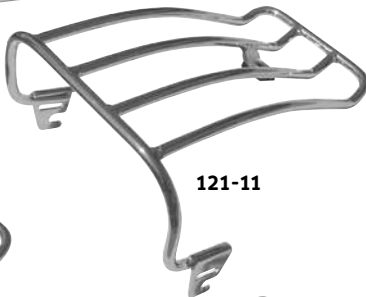
CHROME  
PLATED



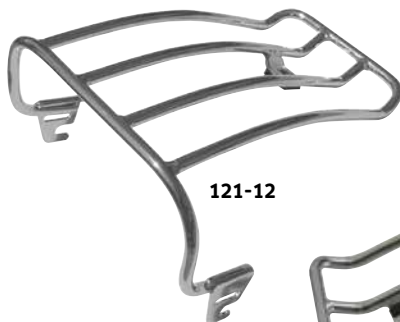
121-8



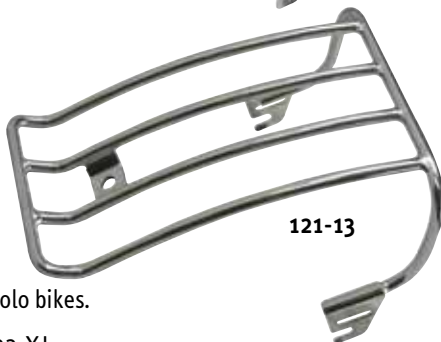
121-10



121-11



121-12



121-13

Chrome plated steel racks for solo bikes.

**121A8** Fits 1995 thru 2003 XL.

**121A10** Fits 1993 thru 2003 FXDWG

**121A11** Fits 1984 thru 1996 Softail®

**121A12** Fits 1997 thru 1999 Softail®

**121A13** Fits 2000 thru 2003 Softail®

## CHROME LUGGAGE RACK



Chrome plated steel racks.

**121A19** Fits 94'-09' XL (8-1/2" L x 6"W)

## LUGGAGE RACK



Chrome steel fender rack fits 2000 & later FXST, FXSTS & FXSTB.

**121A7** Rack. Replaces OEM 56481-03

# LUGGAGE RACKS

121-20



121-22



121-23



121-24



121-25



121-26



Chrome plated steel racks.

SOLD EACH

**121A20** Fits 91'-05' Dyna Glide (except FXDWG) (10" L x 6" W)

**121A22** Fits 97'-05' FLHT, FLTR, FLHR, for solo rider

**121A23** Fits 06'-UP FXST, FXSTB, FXSTS #60161-06

**121A24** Fits 06'-UP FXDWG #56802-06

**121A25** Fits 04'-UP XL stock

**121A26** Fits 04'-UP XL custom

## FENDER RACK FOR HERITAGE® & FAT BOY®



CHROME  
PLATED

Chrome plated fender rack made from 3/8" steel tubing is perfect for tying up items and protecting paint. Easily installs to stock seat bolt and license plate bracket for quick mounting and removal.

**121A6** Fits Big Twin Heritage® & Fat Boy® models, 1986-2005.

SOLD EACH

## CUSTOM UNIVERSAL HORN WITH COVER



This 12V horn with spade style terminals has a universal mounting bracket and a chrome plated snap-on cover.

**16A32** 12 Volt universal horn.

## H-D<sup>®</sup> STYLE ELECTRIC HORN



Early style horn.

**16A18** 12V Horn.

## SINGLE HORN



High quality chrome finish.  
Comes with mounting bracket.

**16A21** 6 Volt horn.

**16A22** 12 Volt horn.

## ELECTRIC HORN



2-1/2" dia., 12V horn, chrome.

**16A24** Chrome, 12V Horn.

## ELECTRIC HORN



This air horn produces total sound output of 107 decibels. Ideally suited for application on motorcycles and autos where mounting space is limited and air horns cannot be used. Relay, brackets and hardware included in blister packed set.

**16A17** Electric horn, 107 decibels.

SOLD AS SET

## BIG TWIN DISTRIBUTOR



A complete plated distributor. This top quality distributor features automatic advance, late style points and condenser for performance & reliability. Complete with drive gear, points, condenser, breaker-to-coil wire, terminal adapter and chrome plated cap.

**BIG TWIN**

**70A123** Complete distributor with 2 hole mount just as original.



# ULTIMA® 41 mm BILLET FORK SLIDER ASSEMBLIES

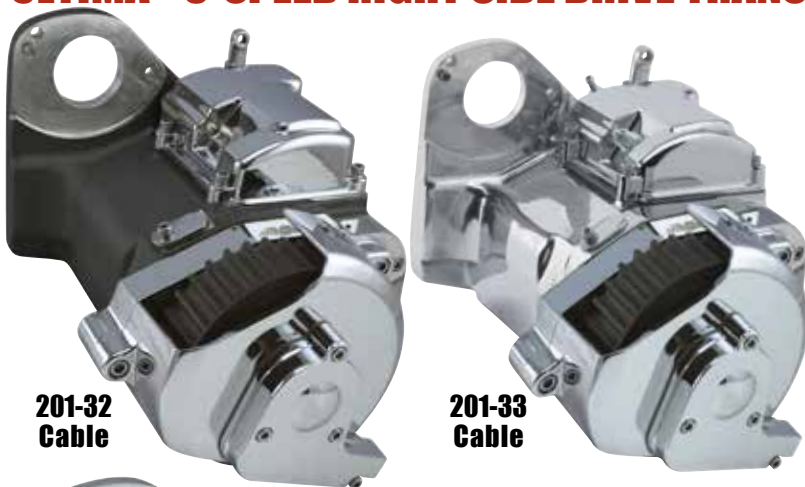


**Complete Softail® style billet fork sliders** Completely assembled. Fork tubes are centerless ground 4140, hard chrome finish with 1984 thru 1999 Softail® style brake application, single or dual disc caliper. Special features include: chrome plated billet lower legs, 1984 & later FXST style tube assemblies and convertible style legs for both single or dual disc brakes. Both Smooth style and Milled feature flush mount style axle & hardware, and billet block off plates hiding damper screw holes. All forks can be rebuilt using OEM components.

SMOOTH CHROME	SMOOTH BLACK	
117A246	117A248	-4" Under stock length
117A247	117A249	2" Under stock length
-----	117A250	Stock length
-----	117A251	+2" Over stock length



# ULTIMA® 6-SPEED RIGHT SIDE DRIVE TRANSMISSIONS



Ultima's Direct Drive RSD transmission offers you quality and value found only in Ultima products. This transmission will handle any of the high horsepower engines we've created and are offered in our drive train packages. These transmission are available in both cable type operated clutch and hydraulic operated clutch styles and both are delivered with a 12 month, 12,000 mile warranty. \*Instructions included and available online @ [www.ultimaproducts.com](http://www.ultimaproducts.com).

- CABLE**
- 201A31 Natural Finish, Cable
  - 201A32 Black Finish, Cable
  - 201A33 Polished Finish, Cable

12 MONTH/12,000 MILE LIMITED WARRANTY FROM DATE OF MIDWEST INVOICE TO THE DEALER.

### FEATURES INCLUDE:

- GEARS AND SHAFT MADE FROM 8620 STEEL FOR DURABILITY
- PRO-CUT LEAD IN RAMPS FOR POSITIVE SHIFTING
- HARDENED STEEL SHIFT FORKS FOR DURABILITY
- ROLLER DETENT FOR ULTRA SMOOTH SHIFTING
- BILLET TRAP DOOR
- PERMANENT MOLD TRANSMISSION CASE MACHINED FROM A356-T6
- CLOSE RATIO 2.94 LOW GEAR SET
- .86 OVERDRIVE 6TH GEAR
- DESIGNED TO USE OEM STYLE SPEEDOMETER SENSORS
- ASSEMBLED BY PROFESSIONALS.
- 32 TOOTH PULLEY INCLUDED.

201-31 Cable

# BLACKOUT

The Ultima® **Black Out** engines feature the same quality, value and performance as the already proven Ultima® El Bruto® engine lineup. Featuring a black powdercoat finish to offer a look that goes deep beyond the typical black engine finish on only the case, cylinders & heads. This beast is pitch black top to bottom!

**113 C.I.**

\*Rated Output 113 C.I. 120 HP with 120 LB FT Torque. Rated Output Measured at Crankshaft.

113 C.I. C-SERIES ENGINES CARRY A 12 MONTH LIMITED WARRANTY FROM ORIGINAL DATE OF PURCHASE.

For additional warranty details see C-SERIES owners manual (included with purchase and/or available online @ [www.ultimaproducts.com](http://www.ultimaproducts.com)).

\*NOT EPA COMPLIANT

**113 CI**

**298A362** Complete Blackout Competition Series engine

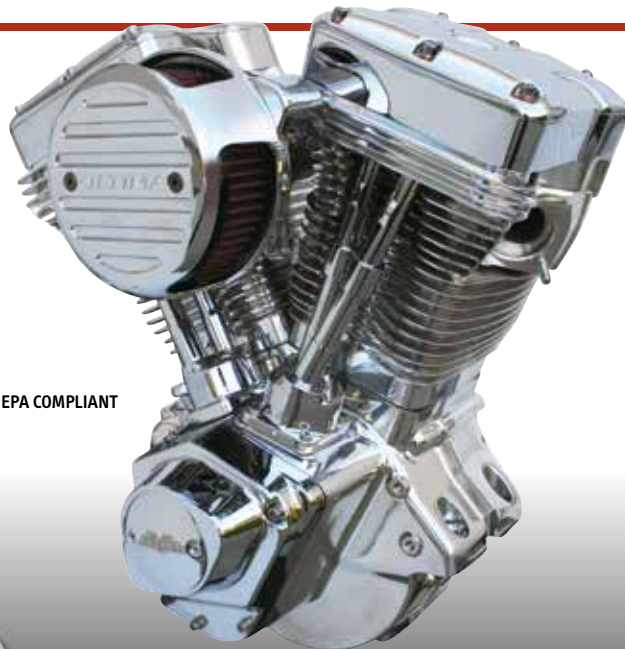


## COMPLETE COMPETITION SERIES POLISHED ENGINE 140 C.I. EL BRUTO®



**298A245 140 CI** 165 H.P., 170 LB FT Torque.  
Complete Engine, Polished Finish

\*NOT EPA COMPLIANT



Shop Online!

Midwest Dealer Portal

★ ★ ★  
[www.  
midwestmcdealerexpress  
.com](http://www.midwestmcdealerexpress.com)  
★ ★ ★

**MIDWEST**  
Motorcycle Supply



<https://www.midwestmcdealerexpress.com/>



Midwest Motorcycle Supply Storefront

Sign In/Register