

MIDWEST

Motorcycle Supply

ULTIMA®

HD®

S&S®

MERCH®

REV TECH®

ENGINE PARTS
"BIG BOOK"

INTRODUCTION

Welcome to Midwest Motorcycle Supply's Engine Reference Guide.

In an effort to make servicing your V-Twin® engine easier, the staff at Midwest Motorcycle Supply have put together what we believe to be the most comprehensive list of replacement parts for the heart of your motorcycle. We hope that this reference guide serves as more than just a book, we envision this guide as more of a tool that can be used for years to come. Starting with the Evolution® family of engines this reference guide, through time, will expand to include Shovelhead®, Panhead® & other older Vintage V-Twin® engines.

We would also like to take this time to thank all supporters of Midwest® & Ultima® products. It is because of you that we have grown to be one of the world's leading providers of high quality aftermarket motorcycle parts & accessories. Thank You & Ride Safe!!!

Every attempt has been made to insure proper fitment of our parts for the applications listed in this guide. It is the end users responsibility to exercise good judgement in the part selection, installation & maintenance of their motor when installing parts referred to in this reference guide. Midwest MC Supply has no control over the judgement of others & assumes no responsibility or liability of any nature for the failure of others to use good judgement.

Midwest Motorcycle Supply, Est. in 1971, is one of the world's leading manufacturers and distributors for aftermarket parts and accessories for American made motorcycles. As a manufacturer we have the capability to produce many of the products you are currently purchasing from other distributors . . . at a fraction of the cost! See examples of our product line at ***www.ultimaproducts.com*** We are committed to keeping up to date on industry research and technical data, as well as legislation and sales demographics & statistics for the benefit of our Dealers.

Ultima Company LLC is not a representative of any other motorcycle engine manufacturer and the parts we sell are not necessarily recommended by any other motorcycle engine manufacturer.

All words used in this catalog denoting any motorcycle engine manufacturer, engine models or part numbers are intended for use as reference only.

Although our replacement engines and engine parts are not original factory equipment for some manufacturers, our intention is to provide an exceptional quality replacement part that will outperform the original equipment of many OEM manufacturers.

Harley-Davidson® Parts: Harley® and Harley-Davidson® and other model names of Harley® motorcycles are used as a reference only. Some H-D® part numbers are also used as reference only. We are not an authorized Harley® dealer and in no way do we have, or intend to imply any kind of business relationship with Harley-Davidson Motor Company®. Our intention is to provide products that can be used on a Harley-Davidson® motorcycle.

Names and words that are registered trademarks of Harley-Davidson® Inc. Milwaukee, WI, such as Evolution®, Harley-Davidson®, Harley®, H-D®, HD®, and Softail® are not intended to imply that they are Harley-Davidson® original equipment by their use in connection with Harley-Davidson® factory part numbers.

All other trademarks, registered trademarks and brand names used in this catalog are the property of their respective holders.

Ultima is not a representative of any other motor or motorcycle manufacturer. All words used in this “Midwest Reference Guide” are intended for use as reference only.

Although our motor replacement parts are not original equipment for some motor manufacturers, our intention is to provide an exceptional quality replacement part that meets, exceeds & outperforms the original equipment of many manufacturers. Names & words used in this “Midwest Reference Guide” that are registered trademarks of S&S® Cycle, Merch Performance® & Rev Tech® are not intended to imply that they are S&S® Cycle, Merch Performance® or Rev Tech® original equipment.

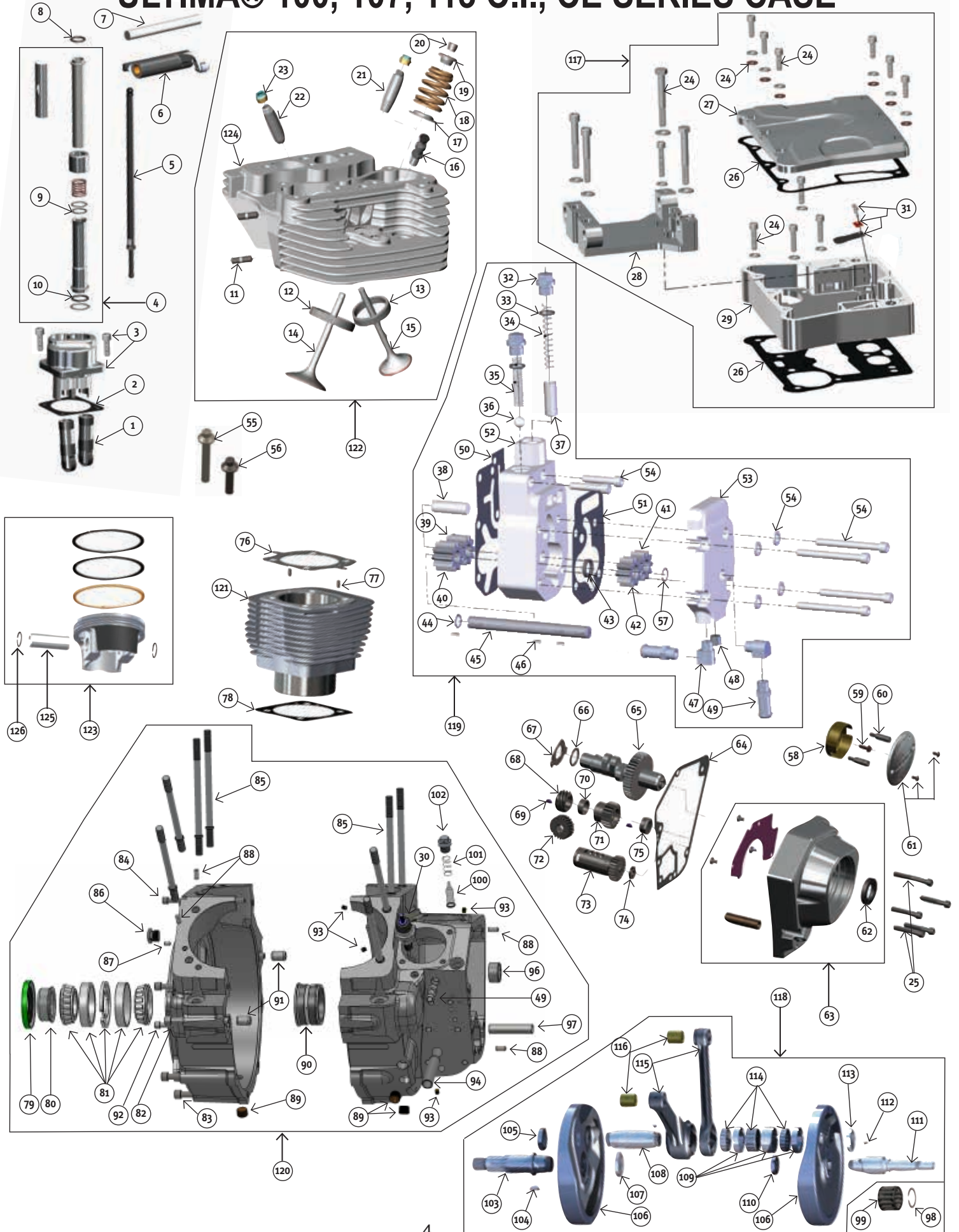
WARNING

Serious injury, death and property damage can result from the improper use, control, alteration, or maintenance of motorcycles. The dealer and dealers customers must exercise good judgement in the use, control, alteration, part selection and installation, and maintenance of motorcycles. Ultima® has no control over the judgement of others and assumes no responsibility or liability of any nature for the failure of others to use good judgement.

INDEX

<u>A. EVOLUTION®</u>	<u>PAGE</u>
1. ULTIMA® 100", 107" & 113"	4
2. ULTIMA® 120" & 127"	7
3. ULTIMA® 140"	9
4. HARLEY DAVIDSON® 80"	11
5. S&S® 88", 96", 100", 107", 111", 113", 117", 124"	15
6. MERCH PERFORMANCE® 120", 125", 131"	19
7. REVTECH® 88", 100", 100" (4X4), 110"	23
<u>B. SHOVELHEAD®</u>	
8. ULTIMA® SHOVELHEAD® 96"	27
9. HARLEY DAVIDSON® SHOVELHEAD® 74" & 80"	29

ULTIMA® 100, 107, 113 C.I., CE SERIES CASE



ULTIMA® 100, 107, 113 C.I., CE SERIES CASE

#	PART#	DESCRIPTION	OEM#	QTY	#	PART#	DESCRIPTION	OEM#	QTY
1	91-880	Ultima lifter	18523-86	Sold each	70	98-89	Pinion gear spacer	24703-54B	Sold each
2	78-670	Rear Tappet block gasket		Sold each	71 *	98-588	Gear, pinion Red	24043-78	Sold each
	78-671	Front Tappet block gasket		Sold each		98-585	Gear, pinion Orange	24040-78	Sold each
3	91-697	Tappet blocks, 4.0" bore motors, w/hardware		Sold as set		98-586	Gear, pinion White	24041-78	Sold each
4	91-775	Pushrod cover assembly		Sold each		98-587	Gear, pinion Yellow	24042-78	Sold each
5	91-795	Pushrod set adjustable standard length		Sold as set		98-589	Gear, pinion Blue	24044-78	Sold each
6	91-699	Rocker arm set, 1.675 ratio		Sold as set		98-590	Gear, pinion Green	24045-78	Sold each
7	91-666	Rocker arm shaft	17611-83	Sold each		98-591	Gear, pinion Black	24046-78	Sold each
8	78-675	Pushrod O-ring upper	11157	Sold each	72	98-358	Gear, oil pump driven	26345-73	Sold each
9	78-673	Pushrod O-ring middle	11132	Sold each	73 *	98-512	Breather gear std.	25313-77	Sold each
10	78-674	Pushrod O-ring bottom	11145	Sold each		98-494	Breather gear +.030" 77 & ltr	25313-77	Sold each
11	66-242	Exhaust stud	16715-83	Sold each	74 *	98-80	Breather gear shim .110" 79 & ltr	25313-77A	Sold each
12	91-569A	2.250"x1.815" Intake valve seat (2.100)		Sold each		98-81	Breather gear shim .115" 79 & ltr	25321-79	Sold each
13	91-568A	1.880"x1.495" Exhaust valve seat (1.700)		Sold each		98-82	Breather gear shim .120" 79 & ltr	25322-79	Sold each
14	91-747	Intake valve 2.100"x4.580"		Sold each		98-83	Breather gear shim .125" 79 & ltr	25323-79	Sold each
15	91-748	Exhaust valve 1.700"x4.620"		Sold each	75	98-302	Nut, pinion	24023-54	Sold each
16	93-772	compression release		Sold each	76	78-678	Head gasket, front or rear, .035		Sold each
17	91-337	Conical spring seat		Sold each	77	98-540	Dowel pin .250"x.500"		Sold each
18	91-861	Conical valve spring std.		Sold each	78	78-676	Base gasket front		Sold each
19	91-338	Conical spring retainer, steel		Sold each		78-677	Base gasket rear		Sold each
20	91-339	Ultima® keeper/lock, conical spring, 7 degree		Sold each	79	95-805	Oil seal	12026	Sold each
21 *	91-780	Valve guide int. std.		Sold each	80	98-360	Spacer, sprocket shaft 71-99 BT	24002-700	Sold each
	91-782	Valve guide int. +.001"		Sold each	81	95-320	Bearing & race set	9028	Sold as set
	91-784	Valve guide int. +.002"		Sold each	82	300-533	Case bolt 5/16-18 x 2-3/4		Sold each
22 *	91-781	Valve guide exh. std.		Sold each	83	300-534	Case bolt 5/16-18 x 3-1/2		Sold each
	91-783	Valve guide exh. +.001"		Sold each	84	300-535	Case bolt 1/4-20 x 4.0		Sold each
	91-785	Valve guide exh. +.002"		Sold each	85	98-547	6.125 Cylinder stud		Sold each
23	91-770	Valve seal for BT, XL & TC		Sold each	86	98-490A	Timing plug	720	Sold each
24	89-519	Rkr box hardware kit (2 rocker boxes)		Sold as kit	87	98-545	Set screw 10-24		Sold each
25	40-614	Cam cover bolt kit		Sold as kit	88	98-540	Dowel pin .250"x.500"		Sold each
26	77-109	Rkr box gasket kit (2 rocker boxes), 06'-11", no hole		Sold as kit	89	98-544	1/4 pipe plug for case		Sold each
	77-111	Rkr box gasket kit (2 rocker boxes), 12'-LTR, cntr hole		Sold as kit	90	95-429	Bearing race	24599-58B	Sold each
27	89-541	Rkr box cover, 06'-11", no hole		Sold each	91	300-541	Alignment pin .500" x.500" hollow		Sold each
	89-544	Rkr box cover, 12'-LTR, cntr hole		Sold each	92	300-125	Case bolt 1/4-20 x 3-1/4		Sold each
28	89-545	Rkr box center section, 06'-LTR		Sold each	93	98-543	3/16 Hi pressure plug		Sold each
29	89-540	Rkr box base, 06'-11"		Sold each	94	300-453	Bushing, oil pump 36 & ltr		Sold each
	89-543	Rkr box base, 12'-LTR, w/hole		Sold each	95	-----	-----		Sold each
30	17-65	Oil pressure switch	26561-84	Sold each	96	95-173	Cam bearing	9058	Sold each
31	89-518	Rkr box reed valve kit (1 rocker box)		Sold as kit	97	98-542	Breather seperator tube		Sold each
32	41-888	Spring cap	26263-80	Sold as kit	98	98-531	Pinion bearing retaining ring	11177	Sold each
33	95-828	O-ring 84'-99"	11105	Sold pkg. 5	99 *	95-602	Pinion bearing White	24626-87	Sold each
34	98-619	Plunger spring	26207-83	Sold each		95-603	Pinion bearing Green	24628-87	Sold each
35	98-620	Check ball spring	26262-80	Sold each		95-604	Pinion bearing Red	24641-87	Sold each
36	98-617	Check ball	8873	Sold each		95-605	Pinion bearing Blue	24643-87	Sold each
37	98-623	Plunger	26400-82	Sold each	100	98-510	Screen, crankcase	24981-70	Sold each
38	98-618	Idler pin	26327-68	Sold each	101	98-511	Spring, crankcase 70-99 BT	24982-70	Sold each
39	98-605	Gear, return idle 10T		Sold each	102	98-538	Screen plug		Sold each
40	98-604	Gear, return drive 10T		Sold each	103	98-339	Sprocket shaft 81 & later		Sold each
41	98-607	Gear, feed idle 10T		Sold each	104	94-137	Woodruff key	23985-56	Sold each
42	98-606	Gear, feed drive 10T		Sold each	105	98-421	Nut, crank pin 1"-20	23969-83	Sold as pair
43	95-753	Oil seal	26227-58	Sold pkg. 5	106	98-650	Crankshaft halves only 4.250" Stroke 100" & 107"		Sold as set
44	98-329	Clip ring	11002	Sold each		98-651	Crankshaft halves only 4.500" Stroke 113"		Sold as set
45	98-334	Drive shaft	26346-70	Sold each	107	98-539	Nut, sprocket shaft 1-1/8"-16	24017-80	Sold each
46	98-272	Woodruff key	26348-15	Sold each	108	98-537	Crankpin w/nut & key		Sold as kit
47	21-185	Spigot elbow		Sold each	109	95-145	Rod race set for 7.44" rods		Sold as set
48	98-622	Pressure plug	45830-48	Sold each	110	98-422	Nut, pinion shaft 3/4"-20	24016-80	Sold each
49	21-123	Oil tank vent	63533-41	Sold each	111	98-549	Pinion Shaft .250" longer 100", 107" & 113"		Sold each
50	98-625	Base gasket 92 & ltr		Sold each	112	98-475	Woodruff key	11218	Sold each
51	98-627	Cover gasket 92 & Ltr		Sold each	113	98-421	Nut, crank pin 1"-20	23969-83	Sold as pair
52	98-602	Pump base H.O. 92 & ltr pol.		Sold each	114	95-259	Rod roller bearings & retainer cage	24385-40B	Sold as kit
53	98-603	Pump cover H.O. 92 & ltr pol.		Sold each	115	98-573	Connecting rods H-beam 7.440" w/bushings & races		Sold as set
54	41-740	Oil pump hardware kit		Sold each	116	95-142	Replacement wristpin bushing .792"		Sold each
55	40-616	Head bolt long	16478-85	Sold each	117	89-516	Rocker box set, 06'-11" (2 rocker boxes)		Sold as set
56	40-617	Head bolt short	16480-92	Sold each		89-538	Rocker box set, 12'-LTR (2 rocker boxes)		Sold as set
57	98-325	Snap ring	26348-36	Sold each	118	98-554	Crank assembly 4.250" Stroke 100" & 107" Complete		Sold each
58	53-528	Ignition rotor (gold)	32402-83	Sold each		98-553	Crank assembly 4.500" Stroke 113" Complete		Sold each
59	53-529	Ignition rotor screw	2611C	Sold each	119	98-517	Oil pump complete H.O. 92 & ltr polished		Sold each
60	91-352	Ignition timing screws	32606-82	Sold each		98-520	Oil pump complete H.O. 92 & ltr black		Sold each
61	89-114	Ignition cover, Ultima® w/screws		Sold each	120	206-42	Motor case 92 & ltr 3.875" & 4.0" bore. Natural		Sold each
62	96-299A	Oil seal	83162-51	Sold each		206-43	Motor case 92 & ltr 3.875" & 4.0" bore. Black		Sold each
63	88-110	Cam cover	25268-84A	Sold each		206-72	Motor case 92 & ltr 3.875" & 4.0" bore. Polished		Sold each
64	78-672	Gasket, cam cover	25225-70B	Sold each	121	93-860	100" Front cylinder natural 3.875" bore		Sold each
65	114-246	Cam for 100" & 107" Ultima® motor		Sold each		93-861	100" Rear cylinder natural 3.875" bore		Sold each
	114-245	Cam for 113" Ultima® motor		Sold each		93-864	100" Front cylinder black 3.875" bore		Sold each
66 *	98-378	Cam shim .070"	25554-36	Sold each		93-865	100" Rear cylinder black 3.875" bore		Sold each
	98-375	Cam shim .055"	25551-36	Sold each		93-60	100" Front cylinder polished 3.875" bore		Sold each
	98-376	Cam shim .060"	25552-36	Sold each		93-61	100" Rear cylinder polished 3.875" bore		Sold each
	98-377	Cam shim .065"	25553-36	Sold each		93-858	107" , 113" Front cylinder natural 4.0" bore		Sold each
	98-379	Cam shim .075"	25555-36	Sold each		93-859	107" , 113" Rear cylinder natural 4.0" bore		Sold each
	98-380	Cam shim .080"	25556-36	Sold each		93-862	107" , 113" Front cylinder black 4.0" bore		Sold each
67	98-372	Washer, cam thrust	25550-57	Sold each		93-863	107" , 113" Rear cylinder black 4.0" bore		Sold each
68	98-359	Gear, oil pump drive	26349-73	Sold each		93-58	107" , 113" Front cylinder polished 4.0" bore		Sold each
69	98-305	Woodruff key	23985-54	Sold each		93-59	107" , 113" Rear cylinder polished 4.0" bore		Sold each

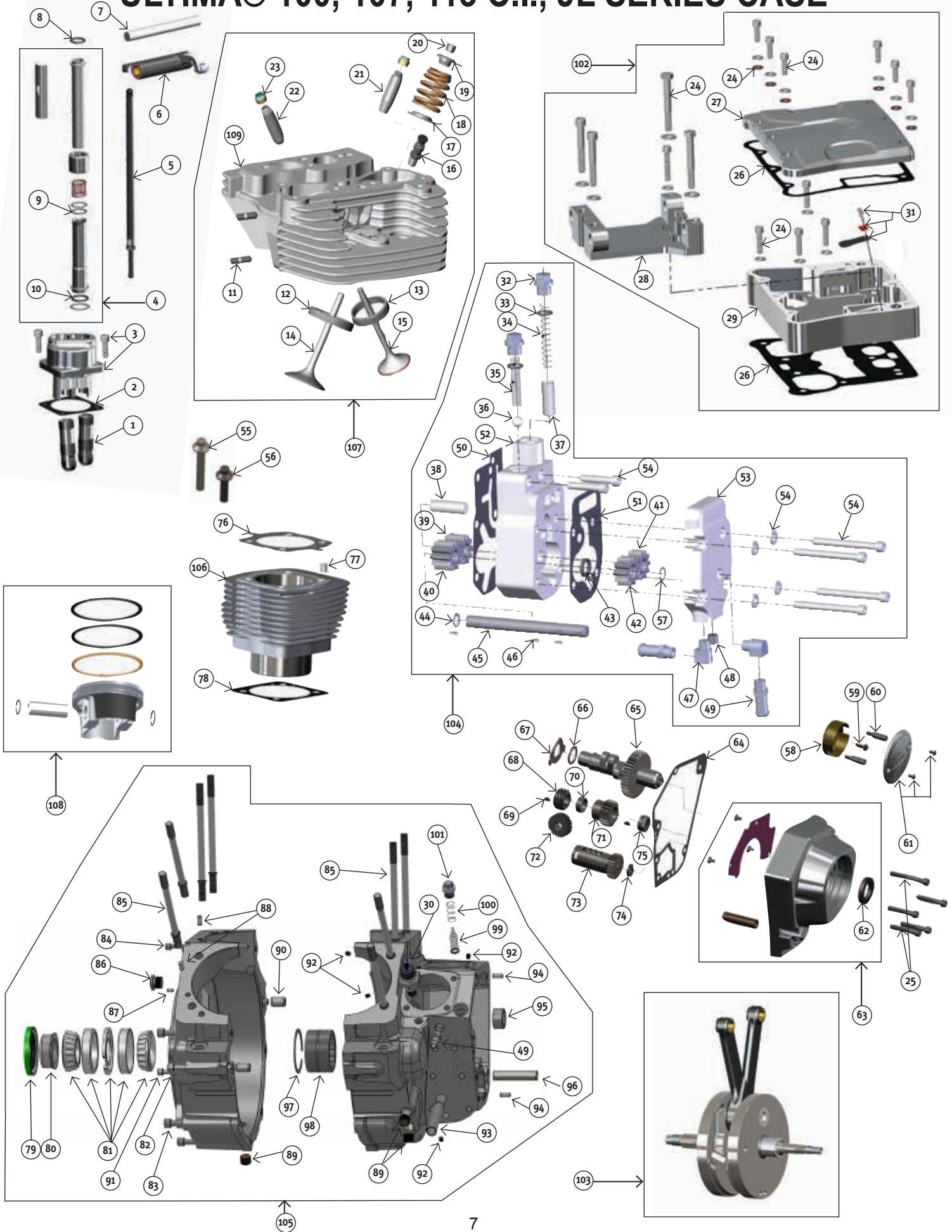
ULTIMA® 100, 107, 113 C.I., CE SERIES CASE

#	PART#	DESCRIPTION	OEM#	QTY
122	93-890	Front cylinder head 4.0 natural assembled		Sold each
	93-891	Rear cylinder head 4.0 natural assembled		Sold each
	93-892	Front cylinder head 4.0 black assembled		Sold each
	93-893	Rear cylinder head 4.0 black assembled		Sold each
	93-90	Front cylinder head 4.0 polished assembled		Sold each
	93-91	Rear cylinder head 4.0 polished assembled		Sold each
123 *	93-880	Piston set w/rings,clips,pins 100" 3.875" std		Sold as set
	93-881	Piston set w/rings,clips,pins 100" 3.875" +.005"		Sold as set
	93-882	Piston set w/rings,clips,pins 100" 3.875" +.010"		Sold as set
	93-883	Piston set w/rings,clips,pins 100" 3.875" +.020"		Sold as set
	93-884	Piston set w/rings,clips,pins 100" 3.875" +.030"		Sold as set
	* 93-960	Piston set w/rings,clips,pins 107" 4.0" std		Sold as set
	93-961	Piston set w/rings,clips,pins 107" 4.0" +.005"		Sold as set
	93-962	Piston set w/rings,clips,pins 107" 4.0" +.010"		Sold as set
	93-963	Piston set w/rings,clips,pins 107" 4.0" +.020"		Sold as set
	93-964	Piston set w/rings,clips,pins 107" 4.0" +.030"		Sold as set
	* 93-885	Piston set w/rings,clips,pins 113" 4.0" std		Sold as set
	93-886	Piston set w/rings,clips,pins 113" 4.0" +.005"		Sold as set
93-887	Piston set w/rings,clips,pins 113" 4.0" +.010"		Sold as set	
93-888	Piston set w/rings,clips,pins 113" 4.0" +.020"		Sold as set	
93-889	Piston set w/rings,clips,pins 113" 4.0" +.030"		Sold as set	
124	93-890M	Ft cyl head 4.0" natural bare w/guides & seats		Sold each
	93-891M	Rr cyl head 4.0" natural bare w/guides & seats		Sold each
	93-892M	Ft cyl head 4.0" black bare w/guides & seats		Sold each
	93-893M	Rr cyl head 4.0" black bare w/guides & seats		Sold each
	93-890P	Ft cyl head 4.0" polished bare w/guides & seats		Sold each
	93-891P	Rr cyl head 4.0" polished bare w/guides & seats		Sold each
125	93-914	Wrist pin 0.792" dia		Sold each
126	93-915	Round wire lock, 0.792" dia pin		Sold each

Every attempt has been made to insure proper fitment of our parts for the applications listed in this guide. It is the end users responsibility to exercise good judgement in the part selection, installation & maintenance of their motor when installing parts referred to in this reference guide. Midwest MC Supply has no control over the judgement of others & assumes no responsibility or liability of any nature for the failure of others to use good judgement.

* DENOTES STANDARD PRODUCTION PART USED WHEN OPTIONS ARE AVAILABLE

ULTIMA® 100, 107, 113 C.I., JL SERIES CASE



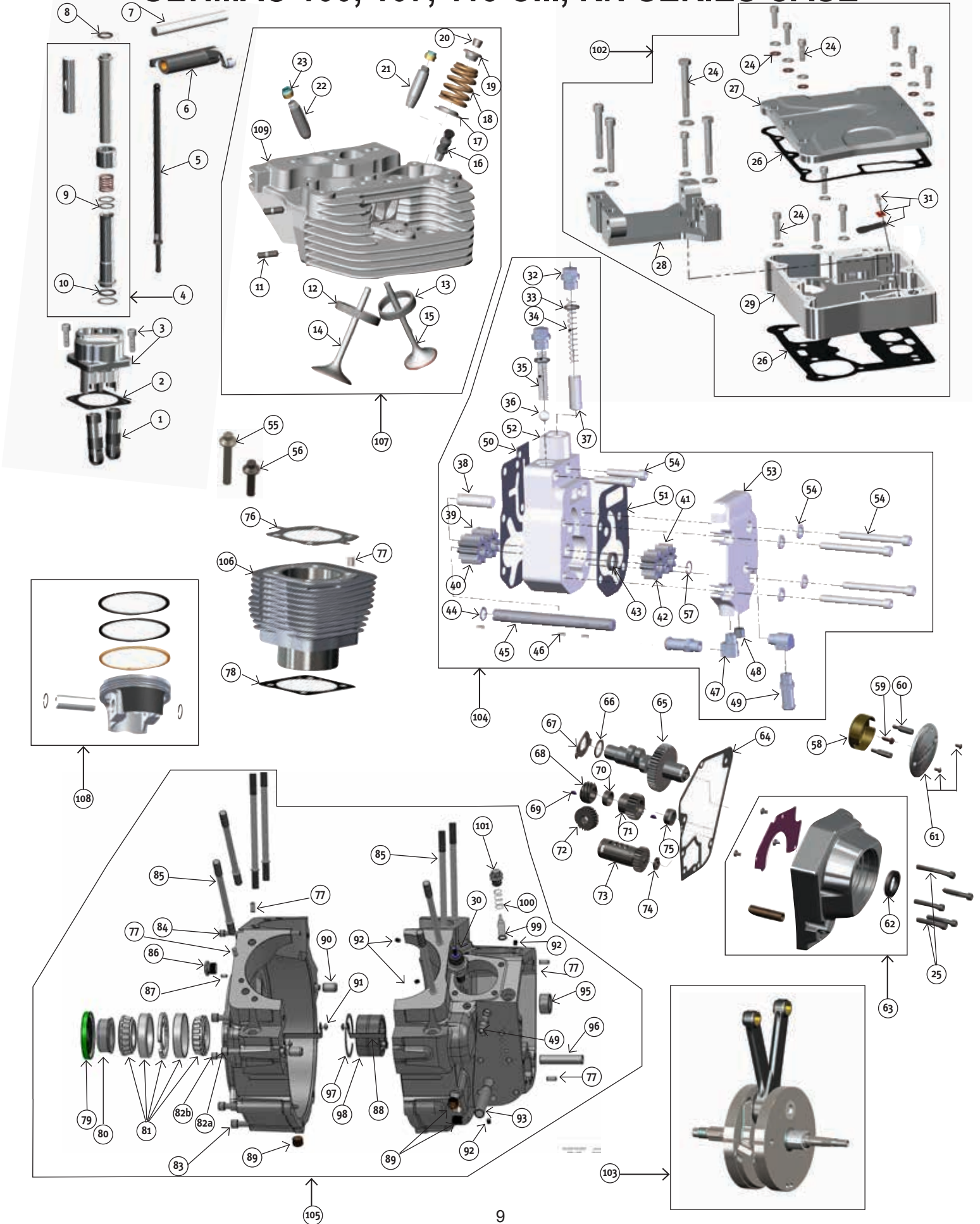
ULTIMA® 100, 107, 113 C.I., JL SERIES CASE

#	PART#	DESCRIPTION	OEM#	QTY	#	PART#	DESCRIPTION	OEM#	QTY
1	91-880	Ultima® lifter	18523-86	Sold each	72	98-358	Gear, oil pump driven	26345-73	Sold each
2	78-670	Rear Tappet block gasket		Sold each	73 *	98-512	Breather gear std.	25313-77	Sold each
	78-671	Front Tappet block gasket		Sold each		98-494	Breather gear +.030" 77 & ltr	25313-77	Sold each
3	91-697	Tappet blocks big bore motors, w/hardware		Sold as set	74 *	98-80	Breather gear shim .110" 79 & ltr	25313-77A	Sold each
4	91-775	Pushrod cover assembly		Sold each		98-81	Breather gear shim .115" 79 & ltr	25321-79	Sold each
5	91-797	Pushrod set adjustable +.200"		Sold as set		98-82	Breather gear shim .120" 79 & ltr	25322-79	Sold each
6	91-699	Rocker arm set, 1.675 ratio		Sold as set		98-83	Breather gear shim .125" 79 & ltr	25323-79	Sold each
7	91-666	Rocker arm shaft	17611-83	Sold each	75	98-302	Nut, pinion	24023-54	Sold each
8	78-675	Pushrod O-ring upper	11157	Sold each	76	78-678	Head gasket, front or rear		Sold each
9	78-673	Pushrod O-ring middle	11132	Sold each	77	98-540	Dowel pin .250"x.500"		Sold each
10	78-674	Pushrod O-ring bottom	11145	Sold each	78	78-676	Base gasket front		Sold each
11	66-242	Exhaust stud	16715-83	Sold each		78-677	Base gasket rear		Sold each
12	91-569A	2.250"x1.815" Intake valve seat (2.100)		Sold each	79	95-805	Oil seal	12026	Sold each
13	91-568A	1.880"x1.495" Exhaust valve seat (1.700)		Sold each	80	98-360	Spacer, sprocket shaft 71-99 BT	24002-700	Sold each
14	91-747	Intake valve 2.100"x4.580"		Sold each	81	95-320	Bearing & race set	9028	Sold as set
15	91-748	Exhaust valve 1.700"x4.620"		Sold each	82	300-533	Case bolt 5/16-18 x 2-3/4		Sold each
16	93-772	compression release		Sold each	83	300-534	Case bolt 5/16-18 x 3-1/2		Sold each
17	91-337	Conical spring seat		Sold each	84a	300-535	Case bolt 1/4-20 x 4.0		Sold each
18	91-861	Conical valve spring std.		Sold each	85	98-547	6.125 Cylinder stud		Sold each
19	91-338	Conical spring retainer, steel		Sold each	86	98-490A	Timing plug		Sold each
20	91-339	Ultima® keeper/lock, conical spring, 7 degree		Sold each	87	98-545	Set screw 10-24		Sold each
21 *	91-780	Valve guide int. std.		Sold each	88	98-540	Dowel pin .250"x.500"		Sold each
	91-782	Valve guide int. +.001"		Sold each	89	98-544	1/4 pipe plug for case		Sold each
	91-784	Valve guide int. +.002"		Sold each	90	300-541	Alignment pin .500" x.500" hollow		Sold each
22 *	91-781	Valve guide exh. std.		Sold each	91	300-125	Case bolt 1/4-20 x 3-1/4		Sold each
	91-783	Valve guide exh. +.001"		Sold each	92	98-543	3/16 Hi pressure plug		Sold each
	91-785	Valve guide exh. +.002"		Sold each	93	300-453	Bushing, oil pump 3/8 & ltr		Sold each
23	91-770	Valve seal for BT, XL & TC		Sold each	94	98-540	Dowel pin .250"x.500"		Sold each
24	89-519	Rkr box hardware kit (2 rocker boxes)		Sold as kit	95	95-173	Cam bearing	9058	Sold each
25	40-614	Cam cover bolt kit		Sold as kit	96	98-542	Breather separator tube		Sold each
26	77-109	Rkr box gasket kit (2 rocker boxes), 06'-11', no hole		Sold as kit	97	98-581	Case pinion bearing retaining ring		Sold each
	77-111	Rkr box gasket kit (2 rocker boxes), 12'-LTR, cntr hole		Sold as kit	98	95-809	Needle bearing 1.5" shaft 1.25" width	24626-87	Sold each
27	89-541	Rkr box cover, 06'-11', no hole		Sold each	99	98-510	Screen, crankcase	24981-70	Sold each
	89-544	Rkr box cover, 12'-LTR, cntr hole		Sold each	100	98-511	Spring, crankcase 70-99 BT	24982-70	Sold each
28	89-545	Rkr box center section, 06'-LTR		Sold each	101	98-538	Screen plug		Sold each
29	89-540	Rkr box base, 06'-11'		Sold each	102	89-516	Rocker box set, 06'-11' (2 rocker boxes)		Sold as set
	89-543	Rkr box base, 12'-LTR, w/hole		Sold each		89-538	Rocker box set, 12'-LTR (2 rocker boxes)		Sold as set
30	17-65	Oil pressure switch	26561-84	Sold each	103	98-631	Crank assembly 4.250" Stroke 100/107" Complete		Sold each
31	89-518	Rkr box reed valve kit (1 rocker box)		Sold as kit		98-521	Crank assembly 4.500" Stroke 113" Complete		Sold each
32	41-888	Spring cap	26263-80	Sold as kit	104	98-517	Oil pump complete H.O. 92 & ltr polished		Sold each
33	95-828	O-ring 84-99	11105	Sold pkg. 5		98-520	Oil pump complete H.O. 92 & ltr black		Sold each
34	98-619	Plunger spring	26207-83	Sold each	105	206-70	Motor case 92 & ltr 4.000" bore. natural		Sold each
35	98-620	Check ball spring	26262-80	Sold each		206-71	Motor case 92 & ltr 4.000" bore. black		Sold each
36	98-617	Check ball	8873	Sold each		206-73	Motor case 92 & ltr 4.000" bore. Polished		Sold each
37	98-623	Plunger	26400-82	Sold each	106	93-860	100" Front cylinder natural 3.875" bore		Sold each
38	98-618	Idler pin	26327-68	Sold each		93-861	100" Rear cylinder natural 3.875" bore		Sold each
39	98-605	Gear, return idle 10T		Sold each		93-864	100" Front cylinder black 3.875" bore		Sold each
40	98-604	Gear, return drive 10T		Sold each		93-865	100" Rear cylinder black 3.875" bore		Sold each
41	98-607	Gear, feed idle 10T		Sold each		93-60	100" Front cylinder polished 3.875" bore		Sold each
42	98-606	Gear, feed drive 10T		Sold each		93-61	100" Rear cylinder polished 3.875" bore		Sold each
43	95-753	Oil seal	26227-58	Sold pkg. 5		93-858	107/113" Front cylinder natural 4.00" bore		Sold each
44	98-329	Clip ring	11002	Sold each		93-859	107/113" Rear cylinder natural 4.00" bore		Sold each
45	98-334	Drive shaft	26346-70	Sold each		93-862	107/113" Front cylinder black 4.00" bore		Sold each
46	98-272	Woodruff key	26348-15	Sold each		93-863	107/113" Rear cylinder black 4.00" bore		Sold each
47	21-185	Spigot elbow		Sold each		93-58	107/113" Front cylinder polished 4.00" bore		Sold each
48	98-622	Pressure plug	45830-48	Sold each		93-59	107/113" Rear cylinder polished 4.00" bore		Sold each
49	21-123	Spigot tube	63533-41	Sold each	107	93-890	Front cylinder head 4.00" natural assembled		Sold each
50	98-625	Base gasket 92 & ltr		Sold each		93-891	Rear cylinder head 4.00" natural assembled		Sold each
51	98-627	Cover gasket 92 & ltr		Sold each		93-892	Front cylinder head 4.00" black assembled		Sold each
52	98-602	Pump base H.O. 92 & ltr pol.		Sold each		93-893	Rear cylinder head 4.00" black assembled		Sold each
53	98-603	Pump cover H.O. 92 & ltr pol.		Sold each		93-90	Front cylinder head 4.00" polished assembled		Sold each
54	41-740	Oil pump hardware kit		Sold each		93-91	Rear cylinder head 4.00" polished assembled		Sold each
55	40-616	Head bolt long	16478-85	Sold each	108 *	93-185	Piston set w/rings,clips,pins 100" 3.875" std		Sold as set
56	40-617	Head bolt short	16480-92	Sold each		93-186	Piston set w/rings,clips,pins 100" 3.880" +.005"		Sold as set
57	98-325	Snap ring	26348-36	Sold each		93-187	Piston set w/rings,clips,pins 100" 3.885" +.010"		Sold as set
58	53-528	Ignition rotor (gold)	32402-83	Sold each		93-188	Piston set w/rings,clips,pins 100" 3.895" +.020"		Sold as set
59	53-529	Ignition rotor screw	2611C	Sold each		93-189	Piston set w/rings,clips,pins 100" 3.905" +.030"		Sold as set
60	91-352	Ignition timing screws	32606-82	Sold each	*	93-180	Piston set w/rings,clips,pins 107" 4.00" std		Sold as set
61	89-114	Ignition cover, Ultima w/screws		Sold each		93-181	Piston set w/rings,clips,pins 107" 4.005" +.005"		Sold as set
62	96-299A	Oil seal	83162-51	Sold each		93-182	Piston set w/rings,clips,pins 107" 4.010" +.010"		Sold as set
63	88-110	Cam cover	25268-84A	Sold each		93-183	Piston set w/rings,clips,pins 107" 4.020" +.020"		Sold as set
64	78-672	Gasket, cam cover	25225-70B	Sold each		93-184	Piston set w/rings,clips,pins 107" 4.030" +.030"		Sold as set
65	114-246	Cam for 100" & 107" Ultima® motor		Sold each		93-175	Piston set w/rings,clips,pins 113" 4.00" std		Sold as set
	114-245	Cam for 113" Ultima® motor		Sold each		93-176	Piston set w/rings,clips,pins 113" 4.005" +.005"		Sold as set
66 *	98-378	Cam shim .070"	25554-36	Sold each		93-177	Piston set w/rings,clips,pins 113" 4.010" +.010"		Sold as set
	98-375	Cam shim .055"	25551-36	Sold each		93-178	Piston set w/rings,clips,pins 113" 4.020" +.020"		Sold as set
	98-376	Cam shim .060"	25552-36	Sold each		93-179	Piston set w/rings,clips,pins 113" 4.030" +.030"		Sold as set
	98-377	Cam shim .065"	25553-36	Sold each	109	93-890M	Ft cyl head 4.000" natural bare w/guides & seats		Sold each
	98-379	Cam shim .075"	25555-36	Sold each		93-891M	Rr cyl head 4.000" natural bare w/guides & seats		Sold each
	98-380	Cam shim .080"	25556-36	Sold each		93-892M	Ft cyl head 4.000" black bare w/guides & seats		Sold each
67	98-372	Washer, cam thrust	25550-57	Sold each		93-893M	Rr cyl head 4.000" black bare w/guides & seats		Sold each
68	98-359	Gear, oil pump drive	26349-73	Sold each		93-890P	Ft cyl head 4.000" polished bare w/guides & seats		Sold each
69	98-305	Woodruff key	23985-54	Sold each		93-891P	Rr cyl head 4.000" polished bare w/guides & seats		Sold each
70	98-89	Pinion gear spacer	24703-54B	Sold each					
71 *	98-588	Gear, pinion Red	24043-78	Sold each					
	98-585	Gear, pinion Orange	24040-78	Sold each					
	98-586	Gear, pinion White	24041-78	Sold each					
	98-587	Gear, pinion Yellow	24042-78	Sold each					
	98-589	Gear, pinion Blue	24044-78	Sold each					
	98-590	Gear, pinion Green	24045-78	Sold each					
	98-591	Gear, pinion Black	24046-78	Sold each					

Every attempt has been made to insure proper fitment of our parts for the applications listed in this guide. It is the end users responsibility to exercise good judgement in the part selection, installation & maintenance of their motor when installing parts referred to in this reference guide. Midwest MC Supply has no control over the judgement of others & assumes no responsibility or liability of any nature for the failure of others to use good judgement.

* DENOTES STANDARD PRODUCTION PART USED WHEN OPTIONS ARE AVAILABLE

ULTIMA® 100, 107, 113 C.I., KN SERIES CASE

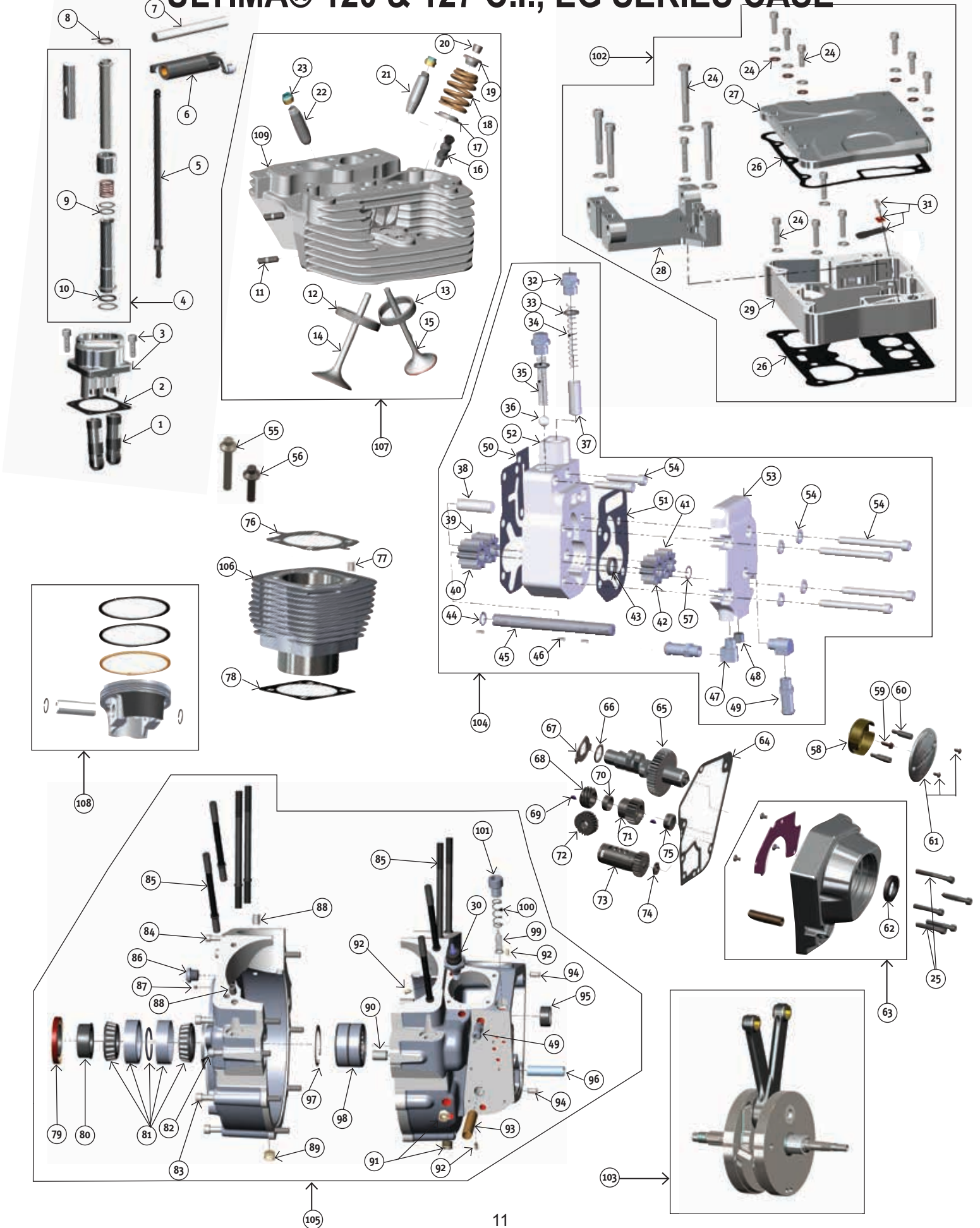


ULTIMA® 100, 107, 113 C.I., KN SERIES CASE

#	PART#	DESCRIPTION	OEM#	QTY	#	PART#	DESCRIPTION	OEM#	QTY
1	91-880	Ultima® lifter	18523-86	Sold each	71 *	98-588	Gear, pinion Red	24043-78	Sold each
2	78-670	Rear Tappet block gasket		Sold each		98-585	Gear, pinion Orange	24040-78	Sold each
	78-671	Front Tappet block gasket		Sold each		98-586	Gear, pinion White	24041-78	Sold each
3	91-697	Tappet blocks big bore motors, w/hardware		Sold as set		98-587	Gear, pinion Yellow	24042-78	Sold each
4	91-775	Pushrod cover assembly		Sold each		98-589	Gear, pinion Blue	24044-78	Sold each
5	91-797	Pushrod set adjustable +.200"		Sold as set		98-590	Gear, pinion Green	24045-78	Sold each
6	91-699	Rocker arm set, 1.675 ratio		Sold as set		98-591	Gear, pinion Black	24046-78	Sold each
7	91-666	Rocker arm shaft	17611-83	Sold each	72	98-358	Gear, oil pump driven	26345-73	Sold each
8	78-675	Pushrod O-ring upper	11157	Sold each	73 *	98-512	Breather gear std.	25313-77	Sold each
9	78-673	Pushrod O-ring middle	11132	Sold each		98-494	Breather gear +.030" 77 & ltr	25313-77	Sold each
10	78-674	Pushrod O-ring bottom	11145	Sold each	74 *	98-80	Breather gear shim .110" 79 & ltr	25313-77A	Sold each
11	66-242	Exhaust stud	16715-83	Sold each		98-81	Breather gear shim .115" 79 & ltr	25321-79	Sold each
12	91-569A	2.250"x1.815" Intake valve seat (2.100)		Sold each		98-82	Breather gear shim .120" 79 & ltr	25322-79	Sold each
13	91-568A	1.880"x1.495" Exhaust valve seat (1.700)		Sold each		98-83	Breather gear shim .125" 79 & ltr	25323-79	Sold each
14	91-747	Intake valve 2.100"x4.580"		Sold each	75	98-302	Nut, pinion	24023-54	Sold each
15	91-748	Exhaust valve 1.700"x4.620"		Sold each	76	78-678	Head gasket, front or rear		Sold each
16	93-772	compression release		Sold each	77	98-540	Dowel pin .250"x.500"		Sold each
17	91-337	Conical spring seat		Sold each	78	78-676	Base gasket front		Sold each
18	91-861	Conical valve spring std.		Sold each		78-677	Base gasket rear		Sold each
19	91-338	Conical spring retainer, steel		Sold each	79	95-805	Oil seal	12026	Sold each
20	91-339	Ultima® keeper/lock, conical spring, 7 degree		Sold each	80	98-360	Spacer, sprocket shaft 71-99 BT	24002-700	Sold each
21 *	91-780	Valve guide int. std.		Sold each	81	95-320	Bearing & race set	9028	Sold as set
	91-782	Valve guide int. +.001"		Sold each	82a	300-533	Case bolt 5/16-18 x 2-3/4		Sold each
	91-784	Valve guide int. +.002"		Sold each	82b	300-125	Case bolt 1/4-20 x 3-1/4		Sold each
22 *	91-781	Valve guide exh. std.		Sold each	83	300-534	Case bolt 5/16-18 x 3-1/2		Sold each
	91-783	Valve guide exh. +.001"		Sold each	84	300-535	Case bolt 1/4-20 x 4.0		Sold each
	91-785	Valve guide exh. +.002"		Sold each	85	98-547	6.125 Cylinder stud		Sold each
23	91-770	Valve seal for BT, XL & TC		Sold each	86	98-490A	Timing plug		Sold each
24	89-519	Rkr box hardware kit (2 rocker boxes)		Sold as kit	87	98-545	Set screw 10-24		Sold each
25	40-614	Cam cover bolt kit		Sold as kit	88	300-127	Adjustable scraper blade		Sold each
26	77-109	Rkr box gasket kit (2 rocker boxes), 06'-11", no hole		Sold as kit	89	98-544	1/4 pipe plug for case		Sold each
	77-111	Rkr box gasket kit (2 rocker boxes), 12'-LTR, cntr hole		Sold as kit	90	300-541	Alignment pin .500" x.500" hollow		Sold each
27	89-541	Rkr box cover, 06'-11", no hole		Sold each	91	300-407E	Scraper bolt #10-24x1/4" BHCS		Sold each
	89-544	Rkr box cover, 12'-LTR, cntr hole		Sold each	92	98-543	3/16 Hi pressure plug		Sold each
28	89-545	Rkr box center section, 06'-LTR		Sold each	93	300-453	Bushing, oil pump 36 & ltr		Sold each
29	89-540	Rkr box base, 06'-11"		Sold each	94	-----	-----		Sold each
	89-543	Rkr box base, 12'-LTR, w/hole		Sold each	95	95-173	Cam bearing	9058	Sold each
30	17-65	Oil pressure switch	26561-84	Sold each	96	98-542	Breather seperator tube		Sold each
31	89-518	Rkr box reed valve kit (1 rocker box)		Sold as kit	97	98-514	Case pinion bearing retaining ring		Sold each
32	41-888	Spring cap	26263-80	Sold as kit	98	95-812	Needle bearing 1-5/8" shaft 1-1/4" width		Sold each
33	95-828	O-ring 84-99	11105	Sold pkg. 5	99	98-510	Screen, crankcase	24981-70	Sold each
34	98-619	Plunger spring	26207-83	Sold each	100	98-511	Spring, crankcase 70-99 BT	24982-70	Sold each
35	98-620	Check ball spring	26262-80	Sold each	101	98-538	Screen plug		Sold each
36	98-617	Check ball	8873	Sold each	102	89-516	Rocker box set, 06'-11" (2 rocker boxes)		Sold as set
37	98-623	Plunger	26400-82	Sold each		89-538	Rocker box set, 12'-LTR (2 rocker boxes)		Sold as set
38	98-618	Idler pin	26327-68	Sold each	103	98-509	Crank assembly 4.250" Stroke 100/107" Complete		Sold each
39	98-605	Gear, return idle 10T		Sold each		98-632	Crank assembly 4.500" Stroke 113" Complete		Sold each
40	98-604	Gear, return drive 10T		Sold each	104	98-517	Oil pump complete H.O. 92 & ltr polished		Sold each
41	98-607	Gear, feed idle 10T		Sold each		98-520	Oil pump complete H.O. 92 & ltr black		Sold each
42	98-606	Gear, feed drive 10T		Sold each	105	206-81	Motor case 92 & ltr 4.000" bore, black		Sold each
43	95-753	Oil seal	26227-58	Sold pkg. 5		206-82	Motor case 92 & ltr 4.000" bore, Polished		Sold each
44	98-329	Clip ring	11002	Sold each	106	93-864	100" Front cylinder black 3.875" bore		Sold each
45	98-334	Drive shaft	26346-70	Sold each		93-865	100" Rear cylinder black 3.875" bore		Sold each
46	98-272	Woodruff key	26348-15	Sold each		93-60	100" Front cylinder polished 3.875" bore		Sold each
47	21-185	Spigot elbow		Sold each		93-61	100" Rear cylinder polished 3.875" bore		Sold each
48	98-622	Pressure plug	45830-48	Sold each		93-862	107/113" Front cylinder black 4.00" bore		Sold each
49	21-123	Spigot tube	63533-41	Sold each		93-863	107/113" Rear cylinder black 4.00" bore		Sold each
50	98-625	Base gasket 92 & ltr		Sold each		93-58	107/113" Front cylinder polished 4.00" bore		Sold each
51	98-627	Cover gasket 92 & ltr		Sold each		93-59	107/113" Rear cylinder polished 4.00" bore		Sold each
52	98-602	Pump base H.O. 92 & ltr pol.		Sold each	107	93-892	Front cylinder head 4.00" black assembled		Sold each
53	98-603	Pump cover H.O. 92 & ltr pol.		Sold each		93-893	Rear cylinder head 4.00" black assembled		Sold each
54	41-740	Oil pump hardware kit		Sold each		93-90	Front cylinder head 4.00" polished assembled		Sold each
55	40-616	Head bolt long	16478-85	Sold each		93-91	Rear cylinder head 4.00" polished assembled		Sold each
56	40-617	Head bolt short	16480-92	Sold each	108 *	93-185	Piston set w/rings, clips, pins 100" 3.875" std		Sold as set
57	98-325	Snap ring	26348-36	Sold each		93-186	Piston set w/rings, clips, pins 100" 3.880" +.005"		Sold as set
58	53-528	Ignition rotor (gold)	32402-83	Sold each		93-187	Piston set w/rings, clips, pins 100" 3.885" +.010"		Sold as set
59	53-529	Ignition rotor screw	2611C	Sold each		93-188	Piston set w/rings, clips, pins 100" 3.895" +.020"		Sold as set
60	91-352	Ignition timing screws	32606-82	Sold each		93-189	Piston set w/rings, clips, pins 100" 3.905" +.030"		Sold as set
61	89-114	Ignition cover, Ultima w/screws		Sold each	*	93-180	Piston set w/rings, clips, pins 107" 4.00" std		Sold as set
62	96-299A	Oil seal	83162-51	Sold each		93-181	Piston set w/rings, clips, pins 107" 4.005" +.005"		Sold as set
63	88-110	Cam cover	25268-84A	Sold each		93-182	Piston set w/rings, clips, pins 107" 4.010" +.010"		Sold as set
64	78-672	Gasket, cam cover	25225-70B	Sold each		93-183	Piston set w/rings, clips, pins 107" 4.020" +.020"		Sold as set
65	114-246	Cam for 100" & 107" Ultima® motor		Sold each		93-184	Piston set w/rings, clips, pins 107" 4.030" +.030"		Sold as set
	114-245	Cam for 113" Ultima® motor		Sold each		93-175	Piston set w/rings, clips, pins 113" 4.00" std		Sold as set
66 *	98-378	Cam shim .070"	25554-36	Sold each		93-176	Piston set w/rings, clips, pins 113" 4.005" +.005"		Sold as set
	98-375	Cam shim .055"	25551-36	Sold each		93-177	Piston set w/rings, clips, pins 113" 4.010" +.010"		Sold as set
	98-376	Cam shim .060"	25552-36	Sold each		93-178	Piston set w/rings, clips, pins 113" 4.020" +.020"		Sold as set
	98-377	Cam shim .065"	25553-36	Sold each		93-179	Piston set w/rings, clips, pins 113" 4.030" +.030"		Sold as set
	98-379	Cam shim .075"	25555-36	Sold each	109	93-892M	Ft cyl head 4.000" black bare w/guides & seats		Sold each
	98-380	Cam shim .080"	25556-36	Sold each		93-893M	Rr cyl head 4.000" black bare w/guides & seats		Sold each
67	98-372	Washer, cam thrust	25550-57	Sold each		93-890P	Ft cyl head 4.000" polished bare w/guides & seats		Sold each
68	98-359	Gear, oil pump drive	26349-73	Sold each		93-891P	Rr cyl head 4.000" polished bare w/guides & seats		Sold each
69	98-305	Woodruff key	23985-54	Sold each					
70	98-89	Pinion gear spacer	24703-54B	Sold each					

Every attempt has been made to insure proper fitment of our parts for the applications listed in this guide. It is the end users responsibility to exercise good judgement in the part selection, installation & maintenance of their motor when installing parts referred to in this reference guide. Midwest MC Supply has no control over the judgement of others & assumes no responsibility or liability of any nature for the failure of others to use good judgement.

ULTIMA® 120 & 127 C.I., EG SERIES CASE



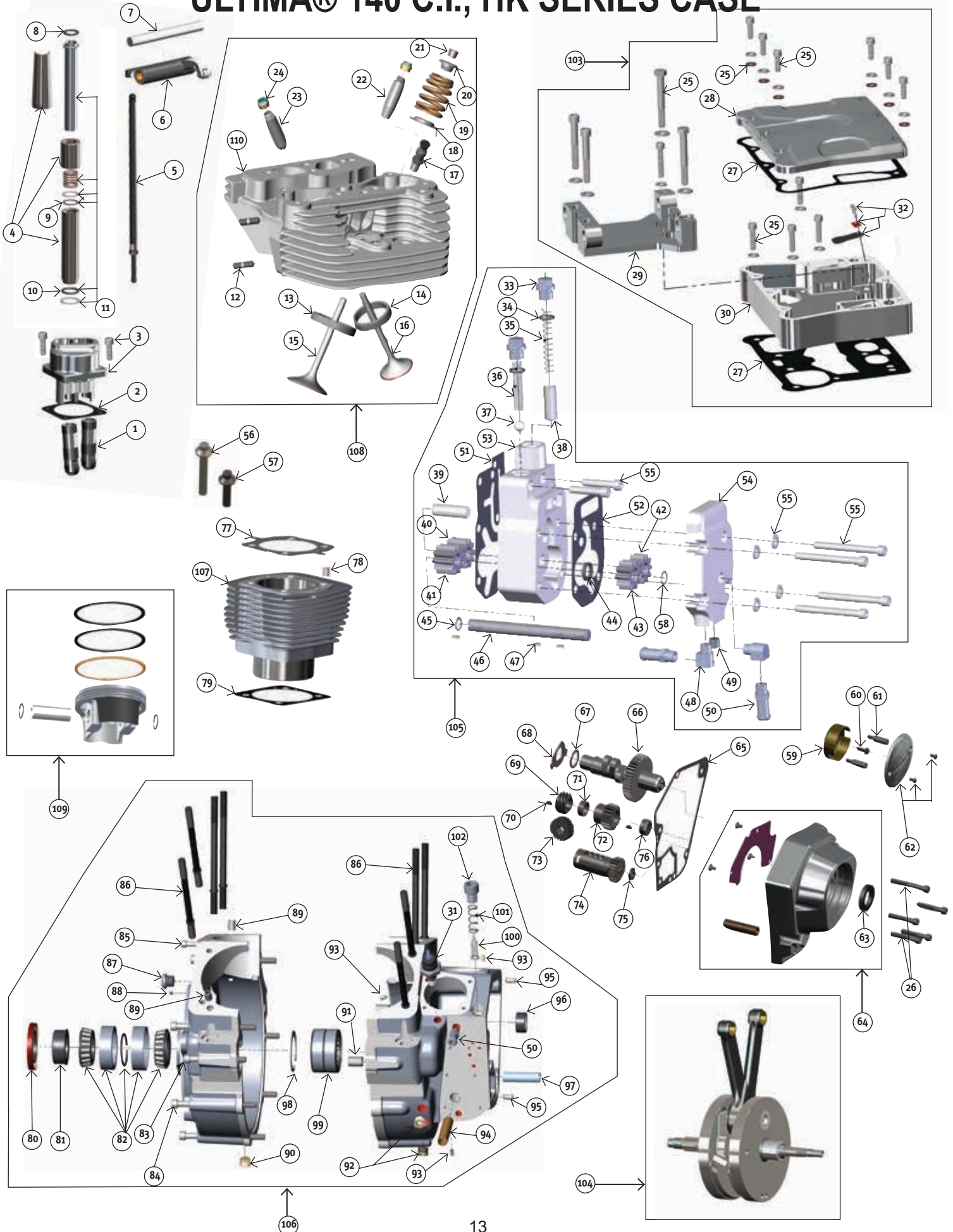
ULTIMA® 120 & 127 C.I., EG SERIES CASE

#	PART#	DESCRIPTION	OEM#	QTY	#	PART#	DESCRIPTION	OEM#	QTY
1	91-880	Ultima® lifter	18523-86	Sold each	71 *	98-588	Gear, pinion Red	24043-78	Sold each
2	78-670	Rear Tappet block gasket		Sold each		98-585	Gear, pinion Orange	24040-78	Sold each
	78-671	Front Tappet block gasket		Sold each		98-586	Gear, pinion White	24041-78	Sold each
3	91-697	Tappet blocks big bore motors, w/hardware		Sold as set		98-587	Gear, pinion Yellow	24042-78	Sold each
4	91-775	Pushrod cover assembly		Sold each		98-589	Gear, pinion Blue	24044-78	Sold each
5	91-797	Pushrod set adjustable + .200"		Sold as set		98-590	Gear, pinion Green	24045-78	Sold each
6	91-699	Rocker arm set, 1.675 ratio		Sold as set		98-591	Gear, pinion Black	24046-78	Sold each
7	91-666	Rocker arm shaft	17611-83	Sold each	72	98-358	Gear, oil pump driven	26345-73	Sold each
8	78-675	Pushrod O-ring upper	11157	Sold each	73 *	98-512	Breather gear std.	25313-77	Sold each
9	78-673	Pushrod O-ring middle	11132	Sold each		98-494	Breather gear +.030" 77 & ltr	25313-77	Sold each
10	78-674	Pushrod O-ring bottom	11145	Sold each	74 *	98-80	Breather gear shim .110" 79 & ltr	25313-77A	Sold each
11	66-242	Exhaust stud	16715-83	Sold each		98-81	Breather gear shim .115" 79 & ltr	25321-79	Sold each
12	91-569A	2.250"x1.815" Intake valve seat (2.100)		Sold each		98-82	Breather gear shim .120" 79 & ltr	25322-79	Sold each
13	91-568A	1.880"x1.495" Exhaust valve seat (1.700)		Sold each		98-83	Breather gear shim .125" 79 & ltr	25323-79	Sold each
14	91-747	Intake valve 2.100"x4.580"		Sold each	75	98-302	Nut, pinion	24023-54	Sold each
15	91-748	Exhaust valve 1.700"x4.620"		Sold each	76	78-686	Head gasket, front or rear, .035		Sold each
16	93-772	compression release		Sold each	77	98-577A	Dowel pin .375"x.500"		Sold each
17	91-337	Conical spring seat		Sold each	78	78-679	Base gasket front		Sold each
18	91-861	Conical valve spring std.		Sold each		78-684	Base gasket rear		Sold each
19	91-338	Conical spring retainer, steel		Sold each	79	95-805	Oil seal	12026	Sold each
20	91-339	Ultima® keeper/lock, conical spring, 7 degree		Sold each	80	98-360	Spacer, sprocket shaft 71-99 BT	24002-700	Sold each
21 *	91-780	Valve guide int. std.		Sold each	81	95-320	Bearing & race set	9028	Sold as set
	91-782	Valve guide int. +.001"		Sold each	82	300-533	Case bolt 5/16-18 x 2-3/4		Sold each
	91-784	Valve guide int. +.002"		Sold each	83	300-534	Case bolt 5/16-18 x 3-1/2		Sold each
22 *	91-781	Valve guide exh. std.		Sold each	84	300-535	Case bolt 1/4-20 x 4.0		Sold each
	91-783	Valve guide exh. +.001"		Sold each	85	98-547	6.125 Cylinder stud		Sold each
	91-785	Valve guide exh. +.002"		Sold each	86	98-490A	Timing plug		Sold each
23	91-770	Valve seal for BT, XL & TC		Sold each	87	98-545	Set screw 10-24		Sold each
24	89-519	Rkr box hardware kit (2 rocker boxes)		Sold as kit	88	98-577A	Dowel pin .375"x.500"		Sold each
25	40-614	Cam cover bolt kit		Sold as kit	89	98-544	1/4 pipe plug for case		Sold each
26	77-109	Rkr box gasket kit (2 rocker boxes), 06'-11", no hole		Sold as kit	90	300-541	Alignment pin .500" x.500"		Sold each
	77-111	Rkr box gasket kit (2 rocker boxes), 12'-LTR, cntr hole		Sold as kit	91	98-544	1/4 pipe plug for case		Sold each
27	89-541	Rkr box cover, 06'-11", no hole		Sold each	92	98-543	3/16 Hi pressure plug		Sold each
	89-544	Rkr box cover, 12'-LTR, cntr hole		Sold each	93	300-453	Bushing, oil pump 3/8 & ltr		Sold each
28	89-545	Rkr box center section, 06'-LTR		Sold each	94	98-540	Dowel pin .250"x.500"		Sold each
29	89-540	Rkr box base, 06'-11'		Sold each	95	95-173	Cam bearing	9058	Sold each
	89-543	Rkr box base, 12'-LTR, w/hole		Sold each	96	98-542	Breather seperator tube		Sold each
30	17-65	Oil pressure switch	26561-84	Sold each	97	98-581	Case pinion bearing retaining ring		Sold each
31	89-518	Rkr box reed valve kit (1 rocker box)		Sold as kit	98	95-809	Needle bearing 1.5" shaft 1.25" width	24626-87	Sold each
32	41-888	Spring cap	26263-80	Sold as kit	99	98-510	Screen, crankcase	24981-70	Sold each
33	95-828	O-ring 84-99	11105	Sold pkg. 5	100	98-511	Spring, crankcase 70-99 BT	24982-70	Sold each
34	98-619	Plunger spring	26207-83	Sold each	101	98-538	Screen plug		Sold each
35	98-620	Check ball spring	26262-80	Sold each	102	89-516	Rocker box set, 06'-11" (2 rocker boxes)		Sold as set
36	98-617	Check ball	8873	Sold each		89-538	Rocker box set, 12'-LTR (2 rocker boxes)		Sold as set
37	98-623	Plunger	26400-82	Sold each	103	98-555	Crank assembly 4.250" Stroke 120" Complete		Sold each
38	98-618	Idler pin	26327-68	Sold each		98-556	Crank assembly 4.500" Stroke 127" Complete		Sold each
39	98-605	Gear, return idle 10T		Sold each	104	98-517	Oil pump complete H.O. 92 & ltr polished		Sold each
40	98-604	Gear, return drive 10T		Sold each		98-520	Oil pump complete H.O. 92 & ltr black		Sold each
41	98-607	Gear, feed idle 10T		Sold each	105	206-48	Motor case 92 & ltr 4.250" bore. natural		Sold each
42	98-606	Gear, feed drive 10T		Sold each		206-49	Motor case 92 & ltr 4.250" bore. black		Sold each
43	95-753	Oil seal	26227-58	Sold pkg. 5		206-78	Motor case 92 & ltr 4.250" bore. Polished		Sold each
44	98-329	Clip ring	11002	Sold each	106	93-934	120" & 127" Front cylinder natural 4.250" bore		Sold each
45	98-334	Drive shaft	26346-70	Sold each		93-935	120" & 127" Rear cylinder natural 4.250" bore		Sold each
46	98-272	Woodruff key	26348-15	Sold each		93-936	120" & 127" Front cylinder black 4.250" bore		Sold each
47	21-185	Spigot elbow		Sold each		93-937	120" & 127" Rear cylinder black 4.250" bore		Sold each
48	98-622	Pressure plug	45830-48	Sold each		93-34	120" & 127" Front cylinder polished 4.250" bore		Sold each
49	21-123	Spigot tube	63533-41	Sold each		93-35	120" & 127" Rear cylinder polished 4.250" bore		Sold each
50	98-625	Base gasket 92 & ltr		Sold each	107	93-930	Front cylinder head 4.250" natural assembled		Sold each
51	98-627	Cover gasket 92 & Ltr		Sold each		93-931	Rear cylinder head 4.250" natural assembled		Sold each
52	98-602	Pump base H.O. 92 & ltr pol.		Sold each		93-932	Front cylinder head 4.250" black assembled		Sold each
53	98-603	Pump cover H.O. 92 & ltr pol.		Sold each		93-933	Rear cylinder head 4.250" black assembled		Sold each
54	41-740	Oil pump hardware kit		Sold each		93-30	Front cylinder head 4.250" polished assembled		Sold each
55	40-616	Head bolt long	16478-85	Sold each	108 *	93-31	Rear cylinder head 4.250" polished assembled		Sold each
56	40-617	Head bolt short	16480-92	Sold each		93-970	Piston set w/rings,clips,pins 120" 4.250" std		Sold as set
57	98-325	Snap ring	26348-36	Sold each		93-971	Piston set w/rings,clips,pins 120" 4.250" +.005"		Sold as set
58	53-528	Ignition rotor (gold)	32402-83	Sold each		93-972	Piston set w/rings,clips,pins 120" 4.250" +.010"		Sold as set
59	53-529	Ignition rotor screw	2611C	Sold each		93-973	Piston set w/rings,clips,pins 120" 4.250" +.020"		Sold as set
60	91-352	Ignition timing screws	32606-82	Sold each		93-974	Piston set w/rings,clips,pins 120" 4.250" +.030"		Sold as set
61	89-114	Ignition cover, Ultima w/screws		Sold each	*	93-975	Piston set w/rings,clips,pins 127" 4.250" std		Sold as set
62	96-299A	Oil seal	83162-51	Sold each		93-976	Piston set w/rings,clips,pins 127" 4.250" +.005"		Sold as set
63	88-110	Cam cover	25268-84A	Sold each		93-977	Piston set w/rings,clips,pins 127" 4.250" +.010"		Sold as set
64	78-672	Gasket, cam cover	25225-70B	Sold each		93-978	Piston set w/rings,clips,pins 127" 4.250" +.020"		Sold as set
65	114-245	Cam for 120" & 127" Ultima® motor MW264		Sold each	109	93-979	Piston set w/rings,clips,pins 127" 4.250" +.030"		Sold as set
66 *	98-378	Cam shim .070"	25554-36	Sold each		93-930M	Ft cyl head 4.250" natural bare w/guides & seats		Sold each
	98-375	Cam shim .055"	25551-36	Sold each		93-931M	Rr cyl head 4.250" natural bare w/guides & seats		Sold each
	98-376	Cam shim .060"	25552-36	Sold each		93-932M	Ft cyl head 4.250" black bare w/guides & seats		Sold each
	98-377	Cam shim .065"	25553-36	Sold each		93-933M	Rr cyl head 4.250" black bare w/guides & seats		Sold each
	98-379	Cam shim .075"	25555-36	Sold each		93-930P	Ft cyl head 4.250" polished bare w/guides & seats		Sold each
	98-380	Cam shim .080"	25556-36	Sold each		93-931P	Rr cyl head 4.250" polished bare w/guides & seats		Sold each
67	98-372	Washer, cam thrust	25550-57	Sold each					
68	98-359	Gear, oil pump drive	26349-73	Sold each					
69	98-305	Woodruff key	23985-54	Sold each					
70	98-89	Pinion gear spacer	24703-54B	Sold each					

Every attempt has been made to insure proper fitment of our parts for the applications listed in this guide. It is the end users responsibility to exercise good judgement in the part selection, installation & maintenance of their motor when installing parts referred to in this reference guide. Midwest MC Supply has no control over the judgement of others & assumes no responsibility or liability of any nature for the failure of others to use good judgement.

* DENOTES STANDARD PRODUCTION PART USED WHEN OPTIONS ARE AVAILABLE

ULTIMA® 140 C.I., HK SERIES CASE



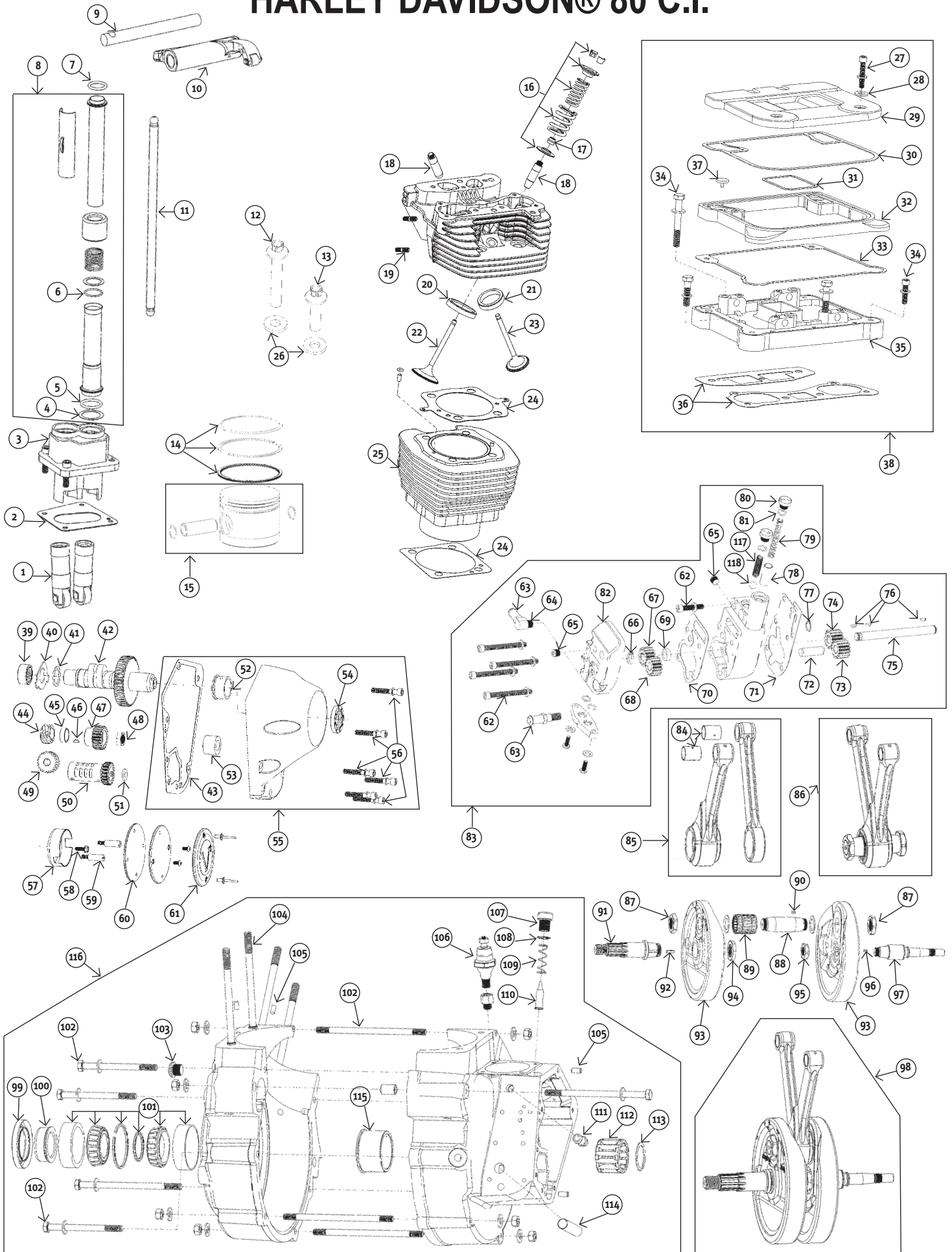
ULTIMA® 140 C.I., HK SERIES CASE

#	PART#	DESCRIPTION	OEM#	QTY	#	PART#	DESCRIPTION	OEM#	QTY
1	91-880	Ultima® lifter	18523-86	Sold each	72 *	98-588	Gear, pinion Red	24043-78	Sold each
2	78-670	Rear Tappet block gasket		Sold each		98-585	Gear, pinion Orange	24040-78	Sold each
	78-671	Front Tappet block gasket		Sold each		98-586	Gear, pinion White	24041-78	Sold each
3	91-697	Tappet blocks big bore motors, w/hardware		Sold as set		98-587	Gear, pinion Yellow	24042-78	Sold each
4	91-776	Pushrod cover assembly set +.500" (1 motor)		Sold as set		98-589	Gear, pinion Blue	24044-78	Sold each
5	91-799	Pushrod set adjustable, +.500"		Sold as set		98-590	Gear, pinion Green	24045-78	Sold each
6	91-699	Rocker arm set, 1.675 ratio		Sold as set		98-591	Gear, pinion Black	24046-78	Sold each
7	91-666	Rocker arm shaft	17611-83	Sold each	73	98-358	Gear, oil pump driven	26345-73	Sold each
8	78-675	Pushrod O-ring upper	11157	Sold each	74 *	98-512	Breather gear std.	25313-77	Sold each
9	78-673	Pushrod O-ring middle	11132	Sold each		98-494	Breather gear +.030" 77 & ltr	25313-77	Sold each
10	78-674	Pushrod O-ring bottom	11145	Sold each	75 *	98-80	Breather gear shim .110" 79 & ltr	25313-77A	Sold each
11	89-115	Pushrod cover hardware kit (1motor)		Sold as kit		98-81	Breather gear shim .115" 79 & ltr	25321-79	Sold each
12	66-242	Exhaust stud	16715-83	Sold each		98-82	Breather gear shim .120" 79 & ltr	25322-79	Sold each
13	91-570A	2.450"x2.075" Intake valve seat (2.250 & 2.300)		Sold each		98-83	Breather gear shim .125" 79 & ltr	25323-79	Sold each
14	91-571A	1.980"x1.570" Exhaust valve seat (1.800)		Sold each	76	98-302	Nut, pinion	24023-54	Sold each
15	91-765	Intake valve 2.250" x 4.600"		Sold each	77	78-683	Head gasket front or rear		Sold each
16	91-767	Exhaust valve 1.800"x4.550"		Sold each	78	98-577A	Dowel pin .375"x.500"		Sold each
17	93-772	Compression release		Sold each	79	78-681	Base gasket front		Sold each
18	91-337	Conical spring seat		Sold each		78-682	Base gasket rear		Sold each
19	91-862	Conical valve spring, high performance		Sold each	80	95-805	Oil seal	12026	Sold each
20	91-340	Conical retainer, titanium		Sold each	81	98-360	Spacer, sprocket shaft 71-99 BT	24002-700	Sold each
21	91-339	Ultima® conical keeper/lock, 7 degree		Sold each	82	95-320	Bearing & race set	9028	Sold as set
22	91-780	Valve guide int. std.		Sold each	83	300-533	Case bolt 5/16-18 x 2-3/4		Sold each
	91-782	Valve guide int. +.001"		Sold each	84	300-534	Case bolt 5/16-18 x 3-1/2		Sold each
	91-784	Valve guide int. +.002"		Sold each	85	300-535	Case bolt 1/4-20 x 4.0		Sold each
23 *	91-781	Valve guide exh. std.		Sold each	86	98-547	6.125 Cylinder stud		Sold each
	91-783	Valve guide exh. +.001"		Sold each	87	98-490A	Timing plug		Sold each
	91-785	Valve guide exh. +.002"		Sold each	88	98-545	Set screw 10-24		Sold each
24	91-770	Valve seal for BT, XL & TC		Sold each	89	98-577A	Dowel pin .375"x.500"		Sold each
25	89-519	Rkr box hardware kit (2 rocker boxes)		Sold as kit	90	98-544	1/4 pipe plug for case		Sold each
26	40-614	Cam cover bolt kit		Sold as kit	91	300-541	Alignment pin .500" x.500"		Sold each
27	77-109	Rkr box gasket kit, 06'-11" (2 rocker boxes)		Sold as kit	92	98-544	1/4 pipe plug for case		Sold each
28	89-541	Rkr box cover, 06'-11", no hole		Sold each	93	98-543	3/16 Hi pressure plug		Sold each
	89-544	Rkr box cover, 12'-LTR, w/hole		Sold each	94	300-453	Bushing, oil pump 36 & ltr		Sold each
29	89-545	Rkr box center section, 06'-LTR		Sold each	95	98-540	Dowel pin .250"x.500"		Sold each
30	89-540	Rkr box base, 06'-11"		Sold each	96	95-173	Cam bearing	9058	Sold each
	89-540	Rkr box base, 12'-LTR		Sold each	97	98-542	Breather seperator tube		Sold each
31	17-65	Oil pressure switch	26561-84	Sold each	98	98-581	Case pinion bearing retaining ring		Sold each
32	89-518	Rkr box reed valve kit (1 rocker box)		Sold as kit	99	95-809	Needle bearing 1.5" shaft 1.25" width	24626-87	Sold each
33	41-888	Spring cap	26263-80	Sold as kit	100	98-510	Screen, crankcase	24981-70	Sold each
34	95-828	O-ring 84-99	11105	Sold pkg. 5	101	98-511	Spring, crankcase 70-99 BT	24982-70	Sold each
35	98-619	Plunger spring	26207-83	Sold each	102	98-538	Screen plug		Sold each
36	98-620	Check ball spring	26262-80	Sold each	103	89-516	Rocker box set, 06'-11" (2 rocker boxes)		Sold as set
37	98-617	Check ball	8873	Sold each		89-516	Rocker box set, 12'-LTR (2 rocker boxes)		Sold as set
38	98-623	Plunger	26400-82	Sold each	104	98-557	Crank assembly 4.625" Stroke 140" Complete		Sold each
39	98-618	Idler pin	26327-68	Sold each	105	98-517	Oil pump complete H.O. 92 & ltr polished		Sold each
40	98-605	Gear, return idle 10T		Sold each		98-520	Oil pump complete H.O. 92 & ltr black		Sold each
41	98-604	Gear, return drive 10T		Sold each	106	206-44	Motor case 92 & ltr 4.400" bore. natural		Sold each
42	98-607	Gear, feed idle 10T		Sold each		206-45	Motor case 92 & ltr 4.400" bore. black		Sold each
43	98-606	Gear, feed drive 10T		Sold each		206-74	Motor case 92 & ltr 4.400" bore. polished		Sold each
44	95-753	Oil seal	26227-58	Sold pkg. 5	107	93-948	140" Front cylinder natural 4.400" bore		Sold each
45	98-329	Clip ring	11002	Sold each		93-949	140" Rear cylinder natural 4.400" bore		Sold each
46	98-334	Drive shaft	26346-70	Sold each		93-950	140" Front cylinder black 4.400" bore		Sold each
47	98-272	Woodruff key	26348-15	Sold each		93-951	140" Rear cylinder black 4.400" bore		Sold each
48	21-185	Spigot elbow		Sold each		93-48	140" Front cylinder polished 4.400" bore		Sold each
49	98-622	Pressure plug	45830-48	Sold each		93-49	140" Rear cylinder polished 4.400" bore		Sold each
50	21-123	Spigot tube	63533-41	Sold each	108	93-952	Front cylinder head 4.400" natural assembled		Sold each
51	98-625	Base gasket 92 & ltr		Sold each		93-953	Rear cylinder head 4.400" natural assembled		Sold each
52	98-627	Cover gasket 92 & ltr		Sold each		93-954	Front cylinder head 4.400" black assembled		Sold each
53	98-602	Pump base H.O. 92 & ltr pol.		Sold each		93-955	Rear cylinder head 4.400" black assembled		Sold each
54	98-603	Pump cover H.O. 92 & ltr pol.		Sold each		93-52	Front cylinder head 4.400" polished assembled		Sold each
55	41-740	Oil pump hardware kit		Sold each		93-53	Rear cylinder head 4.400" polished assembled		Sold each
56	40-616	Head bolt long	16478-85	Sold each	109 *	93-985	Piston set w/rings, clips, pins 140" 4.400" std		Sold as set
57	40-617	Head bolt short	16480-92	Sold each		93-986	Piston set w/rings, clips, pins 140" 4.400" +.005"		Sold as set
58	98-325	Snap ring	26348-36	Sold each		93-987	Piston set w/rings, clips, pins 140" 4.400" +.010"		Sold as set
59	53-528	Ignition rotor (gold)	32402-83	Sold each		93-988	Piston set w/rings, clips, pins 140" 4.400" +.020"		Sold as set
60	53-529	Ignition rotor screw	2611C	Sold each		93-989	Piston set w/rings, clips, pins 140" 4.400" +.030"		Sold as set
61	91-352	Ignition timing screws	32606-82	Sold each	110	93-952M	Frt cyl head 4.400" natural bare w/guides & seats		Sold each
62	89-114	Ignition cover, Ultima® w/screws		Sold each		93-953M	Rr cyl head 4.400" natural bare w/guides & seats		Sold each
63	96-299A	Oil seal	83162-51	Sold each		93-954M	Frt cyl head 4.400" black bare w/guides & seats		Sold each
64	88-110	Cam cover	25268-84A	Sold each		93-955M	Rr cyl head 4.400" black bare w/guides & seats		Sold each
65	78-672	Gasket, cam cover	25225-70B	Sold each		93-52P	Frt cyl head 4.400" polished bare w/guides & seats		Sold each
66	114-216	Cam for 140" Ultima® motor MW268		Sold each		93-53P	Rr cyl head 4.400" polished bare w/guides & seats		Sold each
67	98-378	Cam shim .070"	25554-36	Sold each					
	98-375	Cam shim .055"	25551-36	Sold each					
	98-376	Cam shim .060"	25552-36	Sold each					
	98-377	Cam shim .065"	25553-36	Sold each					
	98-379	Cam shim .075"	25555-36	Sold each					
	98-380	Cam shim .080"	25556-36	Sold each					
68	98-372	Washer, cam thrust	25550-57	Sold each					
69	98-359	Gear, oil pump drive	26349-73	Sold each					
70	98-305	Woodruff key	23985-54	Sold each					
71	98-89	Pinion gear spacer	24703-54B	Sold each					

Every attempt has been made to insure proper fitment of our parts for the applications listed in this guide. It is the end users responsibility to exercise good judgement in the part selection, installation & maintenance of their motor when installing parts referred to in this reference guide. Midwest MC Supply has no control over the judgement of others & assumes no responsibility or liability of any nature for the failure of others to use good judgement.

* DENOTES STANDARD PRODUCTION PART USED WHEN OPTIONS ARE AVAILABLE

HARLEY DAVIDSON® 80 C.I.



HARLEY DAVIDSON® 80 C.I.

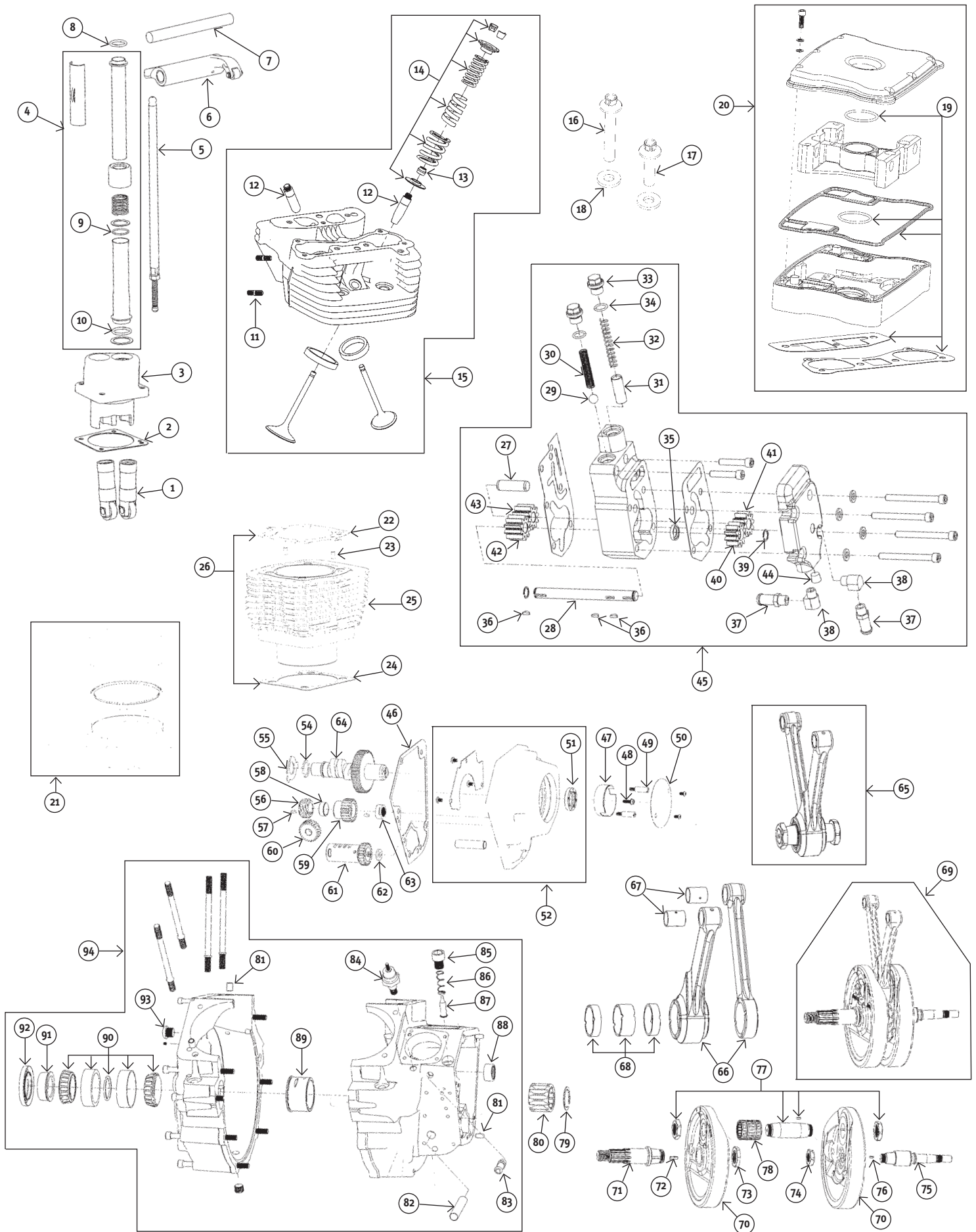
#	PART#	DESCRIPTION	OEM#	QTY	#	PART#	DESCRIPTION	OEM#	QTY
1	91-880	Ultima® lifter	18523-86	each		98-590	Pinion gear 77-89 Green	24045-78	each
2	78-374	Front tappet block gasket 84-99 Cometic	18634-48C	pkg 10		98-591	Pinion gear 77-89 Black	24046-78	each
	78-373	Rear tappet block gasket 84-99 Cometic	18633-48D	pkg 10	48	98-302	Nut, pinion gear 54-89	24023-54	each
3	91-613	Tappet block set, chrome w/hardware 84-99		set		98-458	Nut, pinion gear 90-92	24022-90	each
	91-614	Tappet block set, black w/hardware 84-99		set	49	98-358	Gear, oil pump driven 73-95 24T	26345-73	each
4	91-853	Lower pushrod washer	6737	each	50	98-512	Gear, breather std.	25313-77A	each
5	78-674	Pushrod O-ring, bottom	11145	each		98-494	Gear, breather +.030"	25313-77A	each
6	78-673	Pushrod O-ring, middle	11132	each	51	98-80	Shim, breather gear .110" 79-99	25313-77A	each
7	78-675	Pushrod O-ring, upper	11157	each		98-81	Shim, breather gear .115" 79-99	25321-79	each
8	91-775	Pushrod cover assembly chrome		each		98-82	Shim, breather gear .120" 79-99	25322-79	each
9	91-666	Rocker arm shaft	17611-83	each		98-83	Shim, breather gear .125" 79-99	25323-79	each
10	91-699	Rocker arm set, 1.675 ratio		set	52	95-340	Bushing, cam	25581-70	each
11	91-795	Pushrod set, adjustable, std. length		set	53	95-341	Bushing, Pinion 73-92	25582-73	each
12	40-616	Head bolt, long	16478-85	each		95-454	Bushing, Pinion 93-99	25582-93	each
13	40-617	Head bolt, short	16480-92	each	54	95-222	Oil seal	83162-51	each
14	93-456	Piston rings. 80" std. bore		pair	55	88-53	Cam cover 73-92 w/hdwre & gasket chrome	25258-80B	each
	93-476	Piston rings. 80" +.005		pair		88-70	Cam cover 93-99 w/hdwre & gasket chrome	25266-93A	each
	93-457	Piston rings. 80" +.010		pair	56	41-131	Chrome allen cam cover bolt kit 93-99		kit
	93-458	Piston rings. 80" +.020		pair	57	53-528	Ignition rotor (gold) 84-99	32402-83	each
	93-459	Piston rings. 80" +.030		pair	58	53-529	Ignition rotor screw	2611C	each
15	93-794	Pistons, forged 80" std. bore w/pins & clips		set	59	91-352	Ignition timing/sensor screw	32606-82	each
	93-795	Pistons, forged 80" +.005" w/pins & clips		set	60	78-422	Point cover gasket 84-99	32591-80	pkg 10
	93-796	Pistons, forged 80" +.010" w/pins & clips		set	61	89-304	Point cover domed, chrome 70-99	32524-83	each
	93-797	Pistons, forged 80" +.020" w/pins & clips		set		89-114	Point cover Ultima® domed, chrome 70-99 w/hdwre & gasket	32524-83	each
	93-798	Pistons, forged 80" +.030" w/pins & clips		set	62	41-772	Oil pump bolt kit. Allen head 78-91		kit
16	91-543	Spring kit, Manley, stock to .650" lift.		kit		41-787	Oil pump bolt kit. Allen head 92-99		kit
17	91-770	Valve seal for B.T. 84-99	18001-83B	each	63	21-123	Spigot tube 84-99	63533-41	each
18	91-388	Valve guide 84-99 int. or exh. Std.	18112-92	each	64	21-185	Spigot elbow 84-99		each
	91-389	Valve guide 84-99 int. or exh. +.001"	18130-83C	each	65	98-622	Pressure plug 84-99	45830-48	each
	91-390	Valve guide 84-99 int. or exh. +.002"	18131-83C	each	66	98-325	Retaining ring 84-99	26348-36	each
	91-391	Valve guide 84-99 int. or exh. +.003"	18133-83A	each	67	98-615	Feed, drive gear 14T 84-99	26328-74	each
	91-392	Valve guide 84-99 int. or exh. +.004"		each	68	98-616	Feed, idler gear 14T 84-99	26326-62A	each
19	66-242	Exhaust stud	16715-83	each	69	95-221	Oil seal 84-99	26227-58	each
20	91-680	Valve seat, intake (2.007" O.D. 1.625" I.D. .437" tall)		each	70	78-397	Gasket, oil pump cover 84-91 paper Cometic	26276-80A	pkg 10
	91-682	Valve seat, intake (2.016" O.D. 1.625" I.D. .453" tall)		each		78-398	Gasket, oil pump cover 92-99 paper Cometic	26276-92	pkg 10
	91-681	Valve seat, intake (2.007" O.D. 1.625" I.D. .453" tall)		each	71	78-395	Gasket, oil pump base 84-91 paper Cometic	26273-80B	pkg 10
21	91-674	Valve seat, exhaust (1.7545" O.D. 1.375" I.D. .437" tall)		each		78-396	Gasket, oil pump base 92-99 paper Cometic	26273-92	pkg 10
	91-676	Valve seat, exhaust (1.819" O.D. 1.625" I.D. .453" tall)		each	72	98-618	Idler pin 84-99	26327-68	each
22	91-649	Intake valve head dia. 1.850" stock, stem dia. .310" stock.	18074-83	each	73	98-614	Return, idler gear 14T 84-99	26317-68A	each
23	91-648	Exhaust valve head dia. 1.615" stock, stem dia. .3095" stock.	18082-3	each	74	98-613	Return, drive gear 14T 84-99	26315-68A	each
24	78-246	Head & base gasket set, stock bore .030" Cometic		pair	75	98-334	Drive shaft 84-99	26346-70	each
	78-247	Head & base gasket set, stock bore .040" Cometic		pair	76	98-272	Woodruff key	26348-15	each
25	93-676	Cylinder, 80ci front or rear, 84-99 cast/natural finish	16510-83A	each	77	98-329	Retaining ring 84-99	11002	each
26	41-112	Head bolt washer kit 84-91	16482-85	kit	78	98-623	Plunger 84-99	26400-82	each
27	40-510	Stainless Rocker cover screw kit 84-99		kit	79	98-619	Plunger spring 84-99	26207-83	each
28	78-444	Fiber washer 84-99	63858-49	pkg 10	80	41-888	Oil pump cap	26263-80	each
	78-548	Copper washer 84-99		pkg 10	81	95-828	O-ring 84-99	11105	each
29	89-351	Rocker cover 84-92 chrome	17528-84A	each	82	89-238	Oil pump cover, 68-91 chrome		each
30	78-364	84-91 Upper rocker cover gasket, rubber Cometic	17356-84A	pkg 5	83	98-516	Oil pump, Ultima® 84-91 std. vol polished w/hdwre & gskts		each
	78-365	92-99 Upper rocker cover gasket, rubber Cometic	17356-92	pkg 5		98-518	Oil pump, Ultima® 84-91 High output polished w/hdwre & gskts		each
31	78-366	84-99 Inner rocker cover gasket, rubber Cometic	17358-84A	pkg 10		98-519	Oil pump, Ultima® 84-91 High output wrinkle blk w/hdwre & gskts		each
32	89-374	Rocker box middle spacer 84-92	17510-84	each		98-515	Oil pump, Ultima® 92-99 std. vol. polished w/hdwre & gskts		each
33	78-362	84-91 Lower rocker cover gasket, rubber Cometic	17355-84A	pkg 5		98-517	Oil pump, Ultima® 92-99 High output polished w/hdwre & gskts		each
	78-363	92-99 Lower rocker cover gasket, rubber Cometic	17355-92	pkg 5		98-520	Oil pump, Ultima® 92-99 High output wrinkle blk w/hdwre & gskts		each
34	89-416	Rocker box bolt kit		kit	84	95-115	Wristpin bushing, std. size	24334-36	each
35	89-375	Bottom rocker carrier 84-92	17530-84B	each		95-389	Wristpin bushing, +.002"		each
36	78-321	2 piece gasket set with silicone bead 84-99		set	85	98-573	Con. Rods 7.440" Unfinished .7918" small end 1.6256" big end		set
37	78-205	Umbrella valve 93-99	26856-89	each	86	98-571	Rod set w/crank pin, nuts, bearings, bearing cages, .792" pin bore		set
38	89-373	84-92 Rkr box assy. Ft or Rr 3 piece OEM style w/gaskets		each	87	98-422	Crankpin nut 3/4-20	24016-80	each
	89-450	93-99 Rkr box assy. Ft or Rr 3 piece OEM style w/gaskets/hdwre		each	88	98-537	Crankpin 1.250" w/nuts & key 81-99		kit
	89-516	93-99 Rkr box assy. Ultima 2 piece solid top, Includes hdwre/gskts		set	89	95-259	Rod roller bearing set 74 & ltr		kit
	89-496	93-99 Rkr box assy. 2 piece w/hole in center, Includes hdwre/gskts		set	90	98-475	Crankpin key	23985-18	kit
39	95-173	Cam bearing	9058	each	91	98-339	Sprocket shaft 81 & ltr		each
40	98-372	Washer, cam thrust	25550-57	each	92	94-137	Woodruff key	11218	each
41	98-375	Cam shim .055" 84-99	25551-36	each	93	98-650	Flywheels machined, unbalanced 4.250 stroke 5 piece		pair
	98-376	Cam shim .060" 84-99	25552-36	each	94	98-539	Sprocket shaft nut 1-1/8-16	24017-80	each
	98-377	Cam shim .065" 84-99	25553-36	each	95	98-422	Pinion shaft nut	24016-80	each
	98-378	Cam shim .070" 84-99	25554-36	each	96	98-475	Woodruff key	11218	each
	98-379	Cam shim .075" 84-99	25555-36	each	97	98-546	Pinion shaft 81-99 long nose		each
	98-380	Cam shim .080" 84-99	25556-36	each	98	98-552	Crank assembly 4.250 stroke 84-99		assy.
42	114-46	Camshaft, bolt in, Andrews EV13 84-99		each	99	95-805	Oil seal	12026	each
	114-52	Camshaft, bolt in, Andrews EV27 84-99		each	100	98-360	Sprocket shaft spacer 71-99	24002-70	each
43	78-378	Gasket, cam cover 84-92 Cometic		pkg 5	101	95-320	Bearing & race set	90028	set
	78-379	Gasket, cam cover 93-99 Cometic		pkg 5	102	41-882	Motor case bolt/stud kit 79-95 chrome		kit
44	98-359	Gear, oil pump drive 54-89	26349-73	each		41-142	Motor case bolt/stud kit 96-99 chrome		kit
45	98-89	Pinion gear spacer 54-89	24703-54B	each	103	98-490	Allen timing plug 70-99 chrome		each
46	98-305	Woodruff key 54-89	23985-54	each	104	93-618	Cylinder studs 85 & later	16837-85B	set
	98-532	T-key, pinion gear 90-99	11219	pkg 10	105	98-540	Dowel .250"x.500"		each
47	98-585	Pinion gear 77-89 Orange	24040-78	each	106	17-65	Oil pressure switch tall	26561-84	each
	98-586	Pinion gear 77-89 White	24041-78	each		17-61	Oil pressure switch short	26552-72	each
	98-587	Pinion gear 77-89 Yellow	24042-78	each	107	98-538	Screen plug	26263-80	each
	98-588	Pinion gear 77-89 Red	24043-78	each	108	95-703	O-ring 84-99	11105	pkg 10
	98-589	Pinion gear 77-89 Blue	24044-78	each	109	98-511	Spring, crankcase 70-99	24982-70	each

HARLEY DAVIDSON® 80 C.I.

#	PART#	DESCRIPTION	OEM#	QTY
110	98-510	Screen, crankcase	24981-70	each
111	21-123	Spigot tube	63533-41	each
112	95-602	Pinion bearing 87-99 White	24626-87	each
	95-603	Pinion bearing 87-99 Green	24628-87	each
	95-604	Pinion bearing 87-99 Red	24641-87	each
	95-605	Pinion bearing 87-99 Blue	24643-87	each
	98-531	Pinion bearing retaining ring	11177	each
114	300-453	Bushing, oil pump 36 & ltr	24641-36	each
115	95-310	Bearing race 58-92 std. size	24599-58	each
	95-430	Bearing race 58-92 +.002"	24600-58A	each
	95-429	Bearing race 93-99 std. size	24599-58B	each
116	206-54	Engine case kit 84-91 3.500" bore natural		assy.
	206-55	Engine case kit 84-91 3.500" bore black		assy.
	206-56	Engine case kit 92-99 3.500" bore natural		assy.
	206-57	Engine case kit 92-99 3.500" bore black		assy.
117	98-620	Check ball spring	26262-80	each
118	98-617	Check ball	8873	each

Every attempt has been made to insure proper fitment of our parts for the applications listed in this guide. It is the end users responsibility to exercise good judgement in the part selection, installation & maintenance of their motor when installing parts referred to in this reference guide. Midwest MC Supply has no control over the judgement of others & assumes no responsibility or liability of any nature for the failure of others to use good judgement.

S&S® 88, 96, 100, 107, 111, 113, 117, 124 C.I.



S&S® 88, 96, 100, 107, 111, 113, 117, 124 C.I.

#	PART#	DESCRIPTION	OEM#	QTY	DISPLACEMENT FITMENT
1	91-880	Ultima® lifter	18523-86	each	88,96,100,107,111,113,117,124
2	78-670	Rear Tappet block gasket		each	88,96,100,107,111,113,117,124
	78-671	Front Tappet block gasket		each	88,96,100,107,111,113,117,124
3	91-697	Tappet blocks, 4.0" bore motors, w/hardware		set	100,111,113,117,124
	91-613	Tappet blocks, w/hardware		set	88"-96"
4	91-775	Pushrod cover assembly		each	88,96,100,107,111,113,117,124
5	91-795	Pushrod set adjustable, std. length		set	88,96,100,107,111,113,117,124
6	91-699	Rocker arm set, 1.675 ratio		set	88,96,100,107,111,113,117,124
7	91-666	Rocker arm shaft	17611-83	each	88,96,100,107,111,113,117,124
8	78-675	Pushrod O-ring upper	11157	each	88,96,100,107,111,113,117,124
9	78-673	Pushrod O-ring middle	11132	each	88,96,100,107,111,113,117,124
10	78-674	Pushrod O-ring bottom	11145	each	88,96,100,107,111,113,117,124
11	66-242	Exhaust stud	16715-83	each	88,96,100,107,111,113,117,124
12	91-388	Valve guide 84-99 int. or exh. Std.	18112-92	each	88,96,100,107,111,113,117,124
	91-389	Valve guide 84-99 int. or exh. +.001"	18130-83C	each	88,96,100,107,111,113,117,124
	91-390	Valve guide 84-99 int. or exh. +.002"	18131-83C	each	88,96,100,107,111,113,117,124
	91-391	Valve guide 84-99 int. or exh. +.003"	18133-83A	each	88,96,100,107,111,113,117,124
13	91-770	Valve seal int. or exh.	18001-83B	each	88,96,100,107,111,113,117,124
14	91-758	Valve spring kit max lift .700"		kit	88,96,100,107,111,113,117,124
	91-543	Valve spring kit max lift .650"		kit	88,96,100,107,111,113,117,124
15	93-890	Front cylinder head 4.0 natural assembled		each	107,113
	93-891	Rear cylinder head 4.0 natural assembled		each	107,113
	93-892	Front cylinder head 4.0 black assembled		each	107,113
	93-893	Rear cylinder head 4.0 black assembled		each	107,113
	93-90	Front cylinder head 4.0 polished assembled		each	107,113
	93-91	Rear cylinder head 4.0 polished assembled		each	107,113
16	40-616	Head bolt, long	16478-85	each	88,96,100,107,111,113,117,124
17	40-617	Head bolt, short	16480-92	each	88,96,100,107,111,113,117,124
18	41-112	Head bolt washer kit 84-91	16482-85	kit	88,96,100,107,111,113,117,124
19	77-443	Rocker box O-ring & gasket kit,(die cast covers only)		kit	88,96,100,107,111,113,117,124
20	89-516	93-99 Rkr box assy,Ultima® 2 piece solid top, Includes hdwre/gskts		set	88,96,100,107,111,113,117,124
	89-496	93-99 Rkr box assy,2 piece w/hole in center, Includes hdwre/gskts		set	88,96,100,107,111,113,117,124
21	93-960	Piston set w/rings,clips,pins 4.0" std (Use with Ultima® cylinders only)		set	107"
	93-961	Piston set w/rings,clips,pins 4.0" +.005" (Use with Ultima® cylinders only)		set	107"
	93-962	Piston set w/rings,clips,pins 4.0" +.010" (Use with Ultima® cylinders only)		set	107"
	93-963	Piston set w/rings,clips,pins 4.0" +.020" (Use with Ultima® cylinders only)		set	107"
	93-964	Piston set w/rings,clips,pins 4.0" +.030" (Use with Ultima® cylinders only)		set	107"
	93-885	Piston set w/rings,clips,pins 4.0" std (Ultima or S&S® cylinder compatible)		set	113"
	93-886	Piston set w/rings,clips,pins 4.0" +.005" (Ultima or S&S® cylinder compatible)		set	113"
	93-887	Piston set w/rings,clips,pins 4.0" +.010" (Ultima or S&S® cylinder compatible)		set	113"
	93-888	Piston set w/rings,clips,pins 4.0" +.020" (Ultima or S&S® cylinder compatible)		set	113"
	93-889	Piston set w/rings,clips,pins 4.0" +.030" (Ultima or S&S® cylinder compatible)		set	113"
	93-780	Piston set w/pin & clips only 3.625" std. (purchase rings seperately)		set	96"
	93-781	Piston set w/pin & clips only 3.625" +.005" (purchase rings seperately)		set	96"
	93-782	Piston set w/pin & clips only 3.625" +.010" (purchase rings seperately)		set	96"
	93-783	Piston set w/pin & clips only 3.625" +.020" (purchase rings seperately)		set	96"
	93-784	Piston set w/pin & clips only 3.625" +.030" (purchase rings seperately)		set	96"
	93-631	Ring kit for 3.625" pistons std.		pair	96"
	93-632	Ring kit for 3.625" pistons +.005"		pair	96"
	93-633	Ring kit for 3.625" pistons +.010"		pair	96"
	93-634	Ring kit for 3.625" pistons +.020"		pair	96"
	93-635	Ring kit for 3.625" pistons +.030"		pair	96"
22	78-678	Head gasket front or rear MLS		each	100,107,113
23	98-540	Dowel .250"x.500"		each	88,96,100,107,111,113,117,124
24	78-676	Base gasket front MLS		each	100,107,113
	78-677	Base gasket rear MLS		each	100,107,113
25	93-858	Front cylinder natural 4.0" bore (107 use w/Ultima® pistons listed only)		each	107,113
	93-859	Rear cylinder natural 4.0" bore (107 use w/Ultima® pistons listed only)		each	107,113
	93-862	Front cylinder black 4.0" bore (107 use w/Ultima® pistons listed only)		each	107,113
	93-863	Rear cylinder black 4.0" bore (107 use w/Ultima® pistons listed only)		each	107,113
	93-58	Front cylinder polished 4.0" bore (107 use w/Ultima® pistons listed only)		each	107,113
	93-59	Rear cylinder polished 4.0" bore (107 use w/Ultima® pistons listed only)		each	107,113
26	78-248	Head & base gasket front or rear .030" MLS		pair	96
	78-249	Head & base gasket front or rear .040" MLS		pair	96
27	98-618	Idle pin	26327-68	each	88,96,100,107,111,113,117,124
28	98-334	Drive shaft	26346-70	each	88,96,100,107,111,113,117,124
29	98-617	Check ball	8873	each	88,96,100,107,111,113,117,124
30	98-620	Check ball spring	26262-80	each	88,96,100,107,111,113,117,124
31	98-623	Plunger	26400-82	each	88,96,100,107,111,113,117,124
32	98-619	Plunger spring	26207-83	each	88,96,100,107,111,113,117,124
33	41-888	Spring cap	26263-80	kit	88,96,100,107,111,113,117,124
34	95-828	O-ring 84'-99'	11105	pkg.5	88,96,100,107,111,113,117,124
35	95-753	Oil seal	26227-58	pkg.5	88,96,100,107,111,113,117,124
36	98-272	Woodruff key	26348-15	each	88,96,100,107,111,113,117,124
37	21-123	Spigot tube	63533-41	each	88,96,100,107,111,113,117,124
38	21-185	Spigot elbow		each	88,96,100,107,111,113,117,124
39	98-325	Snap ring	26348-36	each	88,96,100,107,111,113,117,124
40	98-615	Feed, drive gear 14T 84-99 For std. volume pumps only	26328-74	each	88,100,107,113
41	98-616	Feed, idler gear 14T 84-99 For std. volume pumps only	26326-62A	each	88,100,107,113
42	98-613	Return, drive gear 14T 84-99 For std. volume pumps only	26315-68A	each	88,96,100,107,111,113,117,124
43	98-614	Return, idler gear 14T 84-99 For std. volume pumps only	26317-68A	each	88,100,107,113

S&S® 88, 96, 100, 107, 111, 113, 117, 124 C.I.

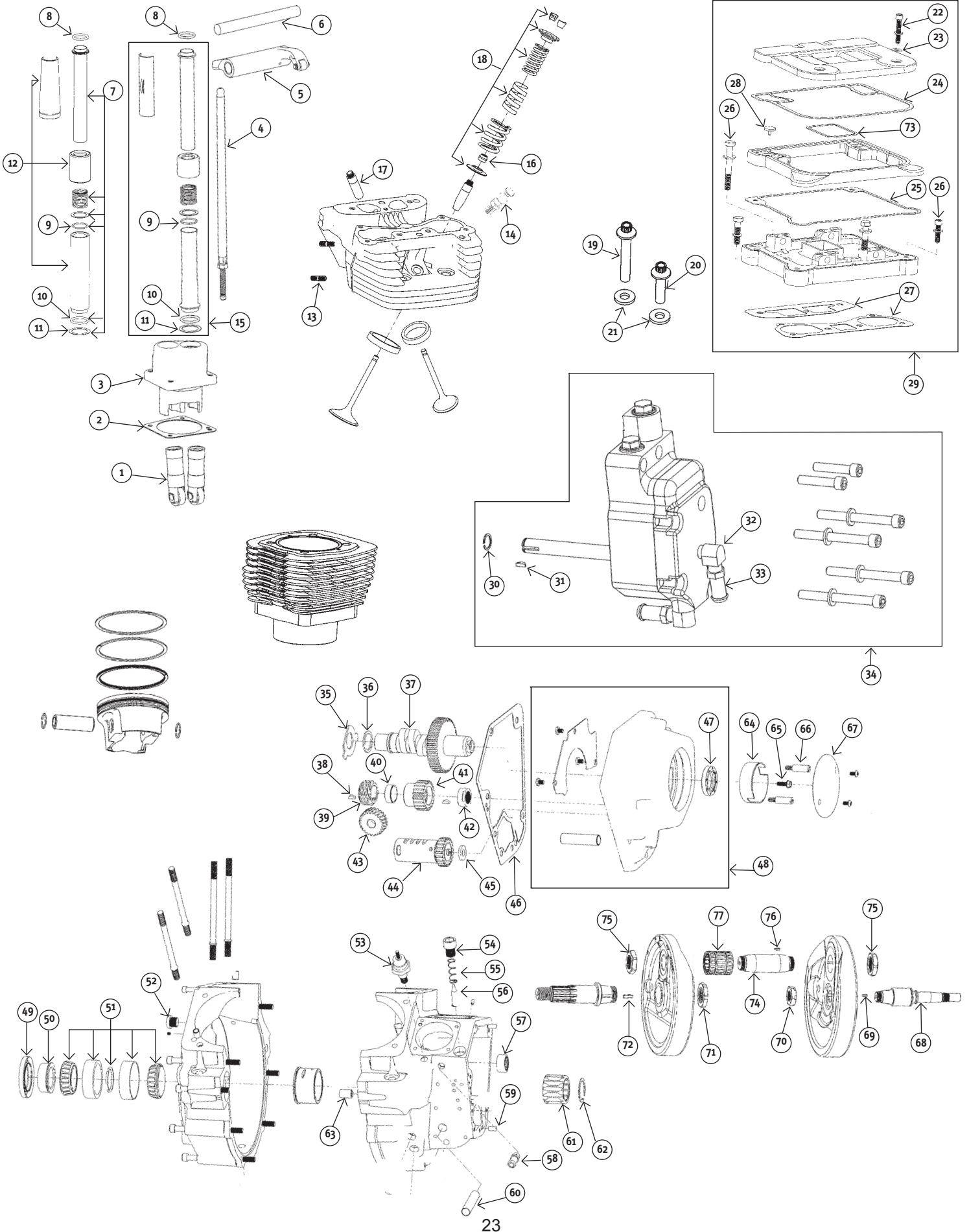
#	PART#	DESCRIPTION	OEM#	QTY	DISPLACEMENT FITMENT
44	98-622	Pressure plug	45830-48	each	88,100,107,113
45	98-516	Ultima® std. volume oil pump 92-99 polished w/hdwre & gaskets		each	88,100,107,113
	98-517	Ultima® H.O. (high output) oil pump 92-99 polished w/hdwre & gaskets		each	88,96,100,107,111,113,117,124
	98-520	Ultima® H.O. (high output) oil pump 92-99 black w/hdwre & gaskets		each	88,96,100,107,111,113,117,124
46	78-672	Gasket, cam cover	25225-70B	each	88,96,100,107,111,113,117,124
47	53-528	Ignition rotor (gold)	32402-83	each	88,96,100,107,111,113,117,124
48	53-529	Ignition rotor screw	2611C	each	88,96,100,107,111,113,117,124
49	91-352	Ignition timing screws	32606-82	each	88,96,100,107,111,113,117,124
50	89-304	Point cover domed, chrome 70-99	32524-83	each	88,96,100,107,111,113,117,124
	89-114	Point cover Ultima® domed, chrome 70-99 w/hdwre & gasket	32524-83	each	88,96,100,107,111,113,117,124
51	96-299A	Oil seal	83162-51	each	88,96,100,107,111,113,117,124
52	88-110	Cam cover Ultima®	25268-84A	each	88,96,100,107,111,113,117,124
	88-53	Cam cover 73-92 w/hdwre & gasket chrome	25258-80B	each	88,96,100,107,111,113,117,124
54	98-378	Cam shim .070"	25554-36	each	88,96,100,107,111,113,117,124
	98-375	Cam shim .055"	25551-36	each	88,96,100,107,111,113,117,124
	98-376	Cam shim .060"	25552-36	each	88,96,100,107,111,113,117,124
	98-377	Cam shim .065"	25553-36	each	88,96,100,107,111,113,117,124
	98-379	Cam shim .075"	25555-36	each	88,96,100,107,111,113,117,124
	98-380	Cam shim .080"	25556-36	each	88,96,100,107,111,113,117,124
55	98-372	Washer, cam thrust	25550-57	each	88,96,100,107,111,113,117,124
56	98-359	Gear, oil pump drive	26349-73	each	88,96,100,107,111,113,117,124
57	98-305	Woodruff key	23985-54	each	88,96,100,107,111,113,117,124
58	98-89	Pinion gear spacer	24703-54B	each	88,96,100,107,111,113,117,124
59	98-588	Gear, pinion Red	24043-78	each	88,96,100,107,111,113,117,124
	98-585	Gear, pinion Orange	24040-78	each	88,96,100,107,111,113,117,124
	98-586	Gear, pinion White	24041-78	each	88,96,100,107,111,113,117,124
	98-587	Gear, pinion Yellow	24042-78	each	88,96,100,107,111,113,117,124
	98-589	Gear, pinion Blue	24044-78	each	88,96,100,107,111,113,117,124
	98-590	Gear, pinion Green	24045-78	each	88,96,100,107,111,113,117,124
	98-591	Gear, pinion Black	24046-78	each	88,96,100,107,111,113,117,124
60	98-358	Gear, oil pump driven	26345-73	each	88,96,100,107,111,113,117,124
61	98-512	Breather gear std.	25313-77	each	88,96,100,107,111,113,117,124
	98-494	Breather gear +.030" 77 & ltr	25313-77	each	88,96,100,107,111,113,117,124
62	98-80	Breather gear shim .110" 79 & ltr	25313-77A	each	88,96,100,107,111,113,117,124
	98-81	Breather gear shim .115" 79 & ltr	25321-79	each	88,96,100,107,111,113,117,124
	98-82	Breather gear shim .120" 79 & ltr	25322-79	each	88,96,100,107,111,113,117,124
	98-83	Breather gear shim .125" 79 & ltr	25323-79	each	88,96,100,107,111,113,117,124
63	98-302	Nut, pinion	24023-54	each	88,96,100,107,111,113,117,124
64	114-68	MW520 Ultima® cam .490 lift		each	88,96
	114-246	MW248 Ultima® cam .600 lift		each	100,107,111
	114-245	MW264 Ultima® cam .625 lift		each	113,117,124
65	98-571	Ultima® 7.440" connecting rods w/crankpin,nuts & alloy caged rod bearings		set	88,96,100,107,113
66	98-573	Ultima® 7.440" connecting rods only w/unfinished bushings and races installed		set	88,96,100,107,113
67	95-115	Wristpin bushing, std. size	24334-36	each	88,96,100,107,113
	95-389	Wristpin bushing, +.002"		each	88,96,100,107,113
68	95-165	Rod races set of 3 41 & ltr		set	88,96,100,107,113
69	98-523	4.000" stroke Ultima® 5 piece crankshaft 7.44 rods		asy	100
	98-552	4.250" stroke Ultima® 5 piece crankshaft 7.44 rods		asy	107
	98-553	4.500" stroke Ultima® 5 piece crankshaft 7.44 rods		asy	113
	98-550	4.625" stroke Ultima® 5 piece crankshaft 7.44 rods		asy	96
70	98-654	Ultima® counterweights 4.000" stroke		pair	100
	98-650	Ultima® counterweights 4.250" stroke		pair	88,107
	98-651	Ultima® counterweights 4.500" stroke		pair	113
	98-652	Ultima® counterweights 4.625" stroke		pair	96
71	98-339	Sprocket shaft		each	88,96,100,107,111,113,117,124
72	94-137	Woodruff key	23985-56	each	88,96,100,107,111,113,117,124
73	98-539	Nut, sprocket shaft 1-1/8"-16	24017-80	each	88,96,100,107,111,113,117,124
74	98-422	Nut, pinion shaft 3/4"-20	24016-80	each	88,96,100,107,111,113,117,124
75	98-549	Pinion Shaft .250"x.500"		each	10011113117124.00
	98-546	Pinion shaft 81-99 long nose		each	88,96
76	98-475	Woodruff key	11218	each	88,96,100,107,111,113,117,124
77	98-537	Crankpin w/nut & key		kit	88,96,100,107,111,113,117,124
78	95-259	Rod roller bearings & retainer cage	24385-40B	kit	88,96,100,107,111,113,117,124
79	98-531	Pinion bearing retaining ring	11177	each	88,96,100,107,111,113,117,124
80	95-602	Pinion bearing White	24626-87	each	88,96,100,107,111,113,117,124
	95-603	Pinion bearing Green	24628-87	each	88,96,100,107,111,113,117,124
	95-604	Pinion bearing Red	24641-87	each	88,96,100,107,111,113,117,124
	95-605	Pinion bearing Blue	24643-87	each	88,96,100,107,111,113,117,124
81	98-540	Dowel pin .250"x.500"	358	each	88,96,100,107,111,113,117,124
82	300-453	Bushing, oil pump 36 & ltr	24641-36	each	88,96,100,107,111,113,117,124
83	21-123	Spigot tube	63533-41	each	88,96,100,107,111,113,117,124
84	17-65	Oil pressure switch tall	26561-84	each	88,96,100,107,111,113,117,124
	17-61	Oil pressure switch short	26552-72	each	88,96,100,107,111,113,117,124
85	98-538	Screen plug	26263-80	each	88,96,100,107,111,113,117,124
86	98-511	Spring, crankcase 70-99 BT	24982-70	each	88,96,100,107,111,113,117,124
87	98-510	Screen, crankcase	24981-70	each	88,96,100,107,111,113,117,124
88	95-173	Cam bearing	9058	each	88,96,100,107,111,113,117,124
89	95-429	Bearing race	24599-58B	each	88,96,100,107,111,113,117,124
90	95-320	Bearing & race set	9028	set	88,96,100,107,111,113,117,124
91	98-360	Spacer, sprocket shaft 71-99 BT	24002-700	each	88,96,100,107,111,113,117,124
92	95-805	Oil seal	12026	each	88,96,100,107,111,113,117,124
93	98-490A	Timing plug	720	each	88,96,100,107,111,113,117,124

S&S® 88, 96, 100, 107, 111, 113, 117, 124 C.I.

#	PART#	DESCRIPTION	OEM#	QTY	DISPLACEMENT FITMENT
94	206-50	92 & later 3.625" bore motors natural		asy	88,96
	206-51	92 & later 3.625" bore motors black		asy	88,96
	206-42	92 & later 3.875" & 4.0" bore motors natural		asy	100,107,113
	206-43	92 & later 3.875" & 4.0" bore motors black		asy	100,107,113

Every attempt has been made to insure proper fitment of our parts for the applications listed in this guide. It is the end users responsibility to exercise good judgement in the part selection, installation & maintenance of their motor when installing parts referred to in this reference guide. Midwest MC Supply has no control over the judgement of others & assumes no responsibility or liability of any nature for the failure of others to use good judgement.

MERCH PERFORMANCE® 120, 125, 131 C.I.



MERCH PERFORMANCE® 120, 125, 131 C.I.

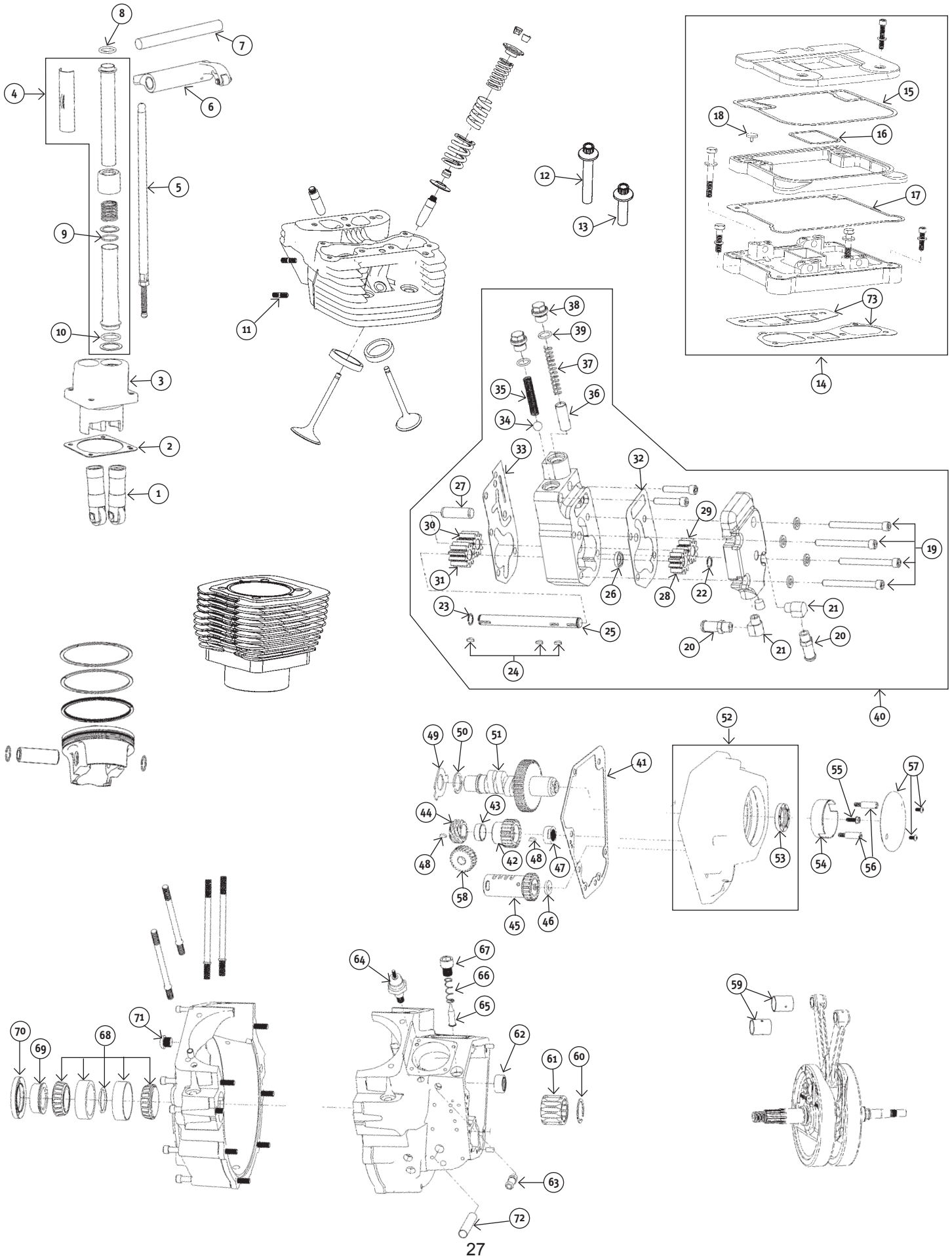
#	PART#	DESCRIPTION	OEM#	QTY	DISPLACEMENT FITMENT
1	91-880	Ultima lifter	18523-86	EA	120,125,131
2	78-670	Rear Tappet block gasket		EA	120,125,131
	78-671	Front Tappet block gasket		EA	120,125,131
3	91-697	Tappet blocks, 4.0" bore motors, w/hardware		SET	120,125,131
4	91-795	Pushrod set adjustable, std. length		SET	120,125,131
	91-797	Pushrod set adjustable, +.200 length		SET	120,125,131
5	91-699	Rocker arm set, 1.675 ratio		SET	120,125,131
6	91-666	Rocker arm shaft	17611-83	EA	120,125,131
7	89-115	Pushrod cover hardware kit (1motor)		KIT	120,125,131
8	78-675	Pushrod O-ring upper	11157	EA	120,125,131
9	78-673	Pushrod O-ring middle	11132	EA	120,125,131
10	78-674	Pushrod O-ring bottom	11145	EA	120,125,131
11	91-853	Lower pushrod washer	6737	EA	120,125,131
12	91-776	Pushrod cover assembly set +.500" (1 motor)		SET	131
13	66-242	Exhaust stud	16715-83	EA	120,125,131
14	93-772	compression release 10mm		EA	120,125,131
15	91-775	Pushrod cover assembly		EA	120,125
16	91-770	Valve seal for B.T. 84-99	18001-83B	EA	120,125,131
17	91-388	Valve guide 84-99 int. or exh. Std.	18112-92	EA	120,125,131
	91-389	Valve guide 84-99 int. or exh. +.001"	18130-83C	EA	120,125,131
	91-390	Valve guide 84-99 int. or exh. +.002"	18131-83C	EA	120,125,131
	91-391	Valve guide 84-99 int. or exh. +.003"	18133-83A	EA	120,125,131
	91-392	Valve guide 84-99 int. or exh. +.004"		EA	120,125,131
18	91-758	Spring kit, Ultima, stock to .700" lift.		KIT	120,125,131
	91-543	Spring kit, Manley, stock to .650" lift.		KIT	120,125,131
19	40-616	Head bolt, long	16478-85	EA	120,125,131
20	40-617	Head bolt, short	16480-92	EA	120,125,131
21	41-112	Head bolt washer kit 84-91	16482-85	KIT	120,125,131
22	40-510	Stainless Rocker cover screw kit 84-99		KIT	120,125,131
23	78-444	Fiber washer 84-99	63858-49	PKG 10	120,125,131
	78-548	Copper washer 84-99		PKG 10	120,125,131
24	78-365	92-99 Upper rocker cover gasket, rubber Cometic Evo B.T.	17356-92	PKG 5	120,125,131
25	78-363	92-99 Lower rocker cover gasket, rubber Cometic Evo B.T.	17355-92	PKG 5	120,125,131
26	89-416	Rocker box bolt kit		KIT	120,125,131
27	78-321	2 piece gasket set with silicone bead 84-99		SET	120,125,131
28	78-205	Umbrella valve 93-99	26856-89	EA	120,125,131
29	89-450	93-99 Rkr box assy. Ft or Rr 3 piece OEM style w/gaskets/hdwre		EA	120,125,131
	89-516	93-99 Rkr box assy.Ultima 2 piece solid top, Includes hdwre/gskts		SET	120,125,131
	89-496	93-99 Rkr box assy.2 piece w/hole in center, Includes hdwre/gskts		SET	120,125,131
30	98-329	Clip ring	11002	EA	120,125,131
31	98-272	Woodruff key	26348-15	EA	120,125,131
32	21-185	Spigot elbow 84-99		EA	120,125,131
33	21-123	Spigot tube 84-99	63533-41	EA	120,125,131
34	98-515	Oil pump, Ultima 92-99 Std. vol. polished w/hdwre & gskts		EA	120,125,131
	98-517	Oil pump, Ultima 92-99 High output polished w/hdwre & gskts		EA	120,125,131
	98-520	Oil pump, Ultima 92-99 High output wrinkle blk w/hdwre & gskts		EA	120,125,131
35	98-372	Washer, cam thrust	25550-57	EA	120,125,131
36	98-375	Cam shim .055"	25551-36	EA	120,125,131
	98-376	Cam shim .060"	25552-36	EA	120,125,131
	98-377	Cam shim .065"	25553-36	EA	120,125,131
	98-378	Cam shim .070"	25554-36	EA	120,125,131
	98-379	Cam shim .075"	25555-36	EA	120,125,131
	98-380	Cam shim .080"	25556-36	EA	120,125,131
37	114-245	Cam MW264 .625" lift		EA	120,125,131
38	98-305	Woodruff key	23985-54	EA	120,125,131
39	98-359	Gear, oil pump drive	26349-73	EA	120,125,131
40	98-89	Pinion gear spacer	24703-54B	EA	120,125,131
41	98-588	Gear, pinion Red	24043-78	EA	120,125,131
	98-585	Gear, pinion Orange	24040-78	EA	120,125,131
	98-586	Gear, pinion White	24041-78	EA	120,125,131
	98-587	Gear, pinion Yellow	24042-78	EA	120,125,131
	98-589	Gear, pinion Blue	24044-78	EA	120,125,131
	98-590	Gear, pinion Green	24045-78	EA	120,125,131
	98-591	Gear, pinion Black	24046-78	EA	120,125,131
42	98-302	Nut, pinion	24023-54	EA	120,125,131
43	98-358	Gear, oil pump driven	26345-73	EA	120,125,131
44	98-512	Breather gear std.	25313-77	EA	120,125,131
	98-494	Breather gear +.030" 77 & ltr	25313-77	EA	120,125,131
45	98-80	Breather gear shim .110" 79 & ltr	25313-77A	EA	120,125,131
	98-81	Breather gear shim .115" 79 & ltr	25321-79	EA	120,125,131
	98-82	Breather gear shim .120" 79 & ltr	25322-79	EA	120,125,131
	98-83	Breather gear shim .125" 79 & ltr	25323-79	EA	120,125,131
46	78-672	Gasket, cam cover	25225-70B	EA	120,125,131
47	96-299A	Oil seal	83162-51	EA	120,125,131
48	88-110	Cam cover Ultima, chrome	25268-84A	EA	120,125,131
	88-53	Cam cover 73-92 w/hdwre & gasket chrome	25258-80B	EA	120,125,131
49	95-805	Oil seal	12026	EA	120,125,131
50	98-360	Spacer, sprocket shaft 71-99 BT	24002-700	EA	120,125,131
51	95-320	Bearing & race set	9028	SET	120,125,131
52	98-490A	Timing plug	720	EA	120,125,131
53	17-65	Oil pressure switch tall	26561-84	EA	120,125,131
	17-61	Oil pressure switch short	26552-72	EA	120,125,131

MERCH PERFORMANCE® 120, 125, 131 C.I.

#	PART#	DESCRIPTION	OEM#	QTY	DISPLACEMENT FITMENT
54	98-538	Screen plug		EA	120,125,131
55	98-511	Spring, crankcase 70-99 BT	24982-70	EA	120,125,131
56	98-510	Screen, crankcase	24981-70	EA	120,125,131
57	95-173	Cam bearing	9058	EA	120,125,131
58	21-123	Spigot tube	63533-41	EA	120,125,131
59	98-540	Dowel pin .250"x.500"		EA	120,125,131
60	300-453	Bushing, oil pump 36 & ltr		EA	120,125,131
61	95-602	Pinion bearing White	24626-87	EA	120,125,131
	95-603	Pinion bearing Green	24628-87	EA	120,125,131
	95-604	Pinion bearing Red	24641-87	EA	120,125,131
	95-605	Pinion bearing Blue	24643-87	EA	120,125,131
62	98-531	Pinion bearing retaining ring	11177	EA	120,125,131
63	300-541	Alignment pin .500" x.500"		EA	120,125,131
64	53-528	Ignition rotor (gold)	32402-83	EA	120,125,131
65	53-529	Ignition rotor screw	2611C	EA	120,125,131
66	91-352	Ignition timing screws	32606-82	EA	120,125,131
67	89-304	Point cover domed, chrome 70-99	32524-83	EA	120,125,131
	89-114	Point cover Ultima domed, chrome 70-99 w/hdwre & gasket	32524-83	EA	120,125,131
68	98-549	Pinion Shaft .250" longer, big bore case		EA	120,125,131
69	98-475	Woodruff key	11218	EA	120,125,131
70	98-422	Nut, pinion shaft 3/4"-20	24016-80	EA	120,125,131
71	98-539	Nut, sprocket shaft 1-1/8"-16	24017-80	EA	120,125,131
72	94-137	Woodruff key	23985-56	EA	120,125,131
73	78-366	84-99 Inner rocker cover gasket, rubber Cometic	17358-84A	PKG 10	120,125,131
74	98-537	Crankpin w/nut & key		KIT	120,125,131
75	98-421	Nut, crank pin 1"-20	23969-83	PR	120,125,131
76	98-475	Crankpin key	23985-18	KIT	120,125,131
77	95-259	Rod roller bearings & retainer cage	24385-40B	KIT	120,125,131

Every attempt has been made to insure proper fitment of our parts for the applications listed in this guide. It is the end users responsibility to exercise good judgement in the part selection, installation & maintenance of their motor when installing parts referred to in this reference guide. Midwest MC Supply has no control over the judgement of others & assumes no responsibility or liability of any nature for the failure of others to use good judgement.

REVTECH® 88, 100, 100 (4X4), 110 C.I.



REVTECH® 88, 100, 100 (4X4), 110 C.I.

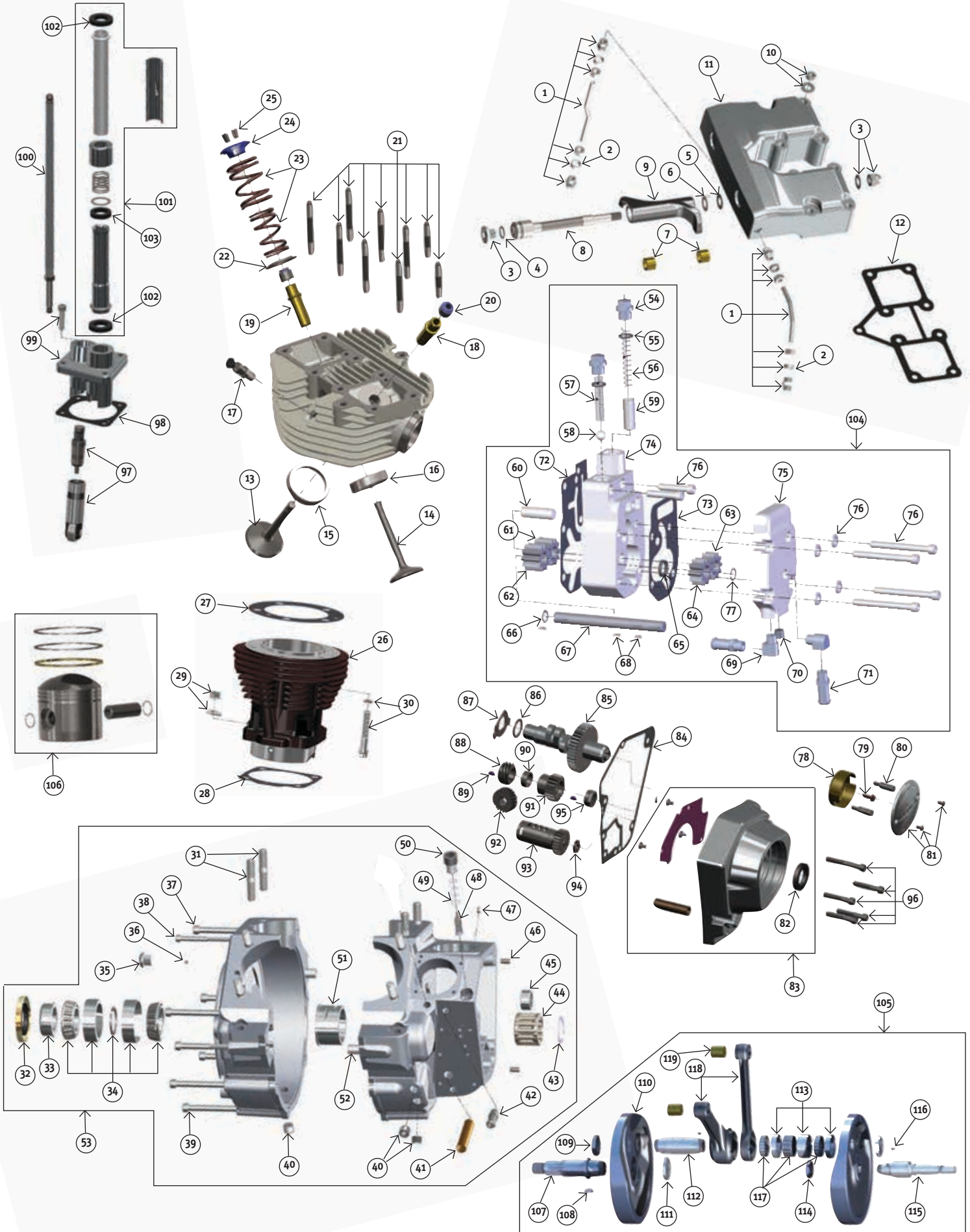
#	PART#	DESCRIPTION	OEM#	QTY	DISPLACEMENT FITMENT	91-880
Ultima	lifter		18523-86	EA	88,100,100(4X4),110	
	78-670	Rear Tappet block gasket		EA	88,100,100(4X4),110	
	78-671	Front Tappet block gasket		EA	88,100,100(4X4),110	
	91-697	Tappet blocks, 4.0" bore motors, w/hardware, chrome		SET	100,100(4X4),110	
	91-613	Tappet blocks, w/hardware, chrome		SET	88	
	91-775	Pushrod cover assembly		EA	88,100,100(4X4),110	
	91-795	Pushrod set adjustable, std. length		SET	88,100,100(4X4),110	
	91-699	Rocker arm set, 1.675 ratio		SET	88,100,100(4X4),110	
	91-666	Rocker arm shaft	17611-83	EA	88,100,100(4X4),110	
	78-675	Pushrod O-ring upper	11157	EA	88,100,100(4X4),110	
	78-673	Pushrod O-ring middle	11132	EA	88,100,100(4X4),110	
	78-674	Pushrod O-ring bottom	11145	EA	88,100,100(4X4),110	
	66-242	Exhaust stud	16715-83	EA	88,100,100(4X4),110	
	40-616	Head bolt, long	16478-85	EA	88,100,100(4X4),110	
	40-617	Head bolt, short	16480-92	EA	88,100,100(4X4),110	
	89-516	93-99 Rkr box Assy.Ultima 2 piece solid top, Includes hdwre/gskts, chrome		SET	88,100	
	89-496	93-99 Rkr box Assy.2 piece w/hole in center, Includes hdwre/gskts, chrome		SET	88,100	
	78-365	Upper gasket rubber	17356-92	PKG 5	88,100	
	78-366	Center gasket rubber	17358-84A	PKG 5	88,100	
	78-363	Lower gasket rubber		PKG 5	88,100	
	78-205	Umbrella valve/seal	26856-89	EA	88,100	
	41-787	Oil pump bolt kit. Allen head 92-99		KIT	88,100,100(4X4),110	
	21-123	Spigot tube 84-99	63533-41	EA	88,100,100(4X4),110	
	21-185	Spigot elbow 84-99		EA	88,100,100(4X4),110	
	98-325	Retaining ring 84-99	26348-36	EA	88,100,100(4X4),110	
	98-329	Retaining ring 84-99	11002	EA	88,100,100(4X4),110	
	98-272	Woodruff key	26348-15	EA	88,100,100(4X4),110	
	98-334	Drive shaft 84-99	26346-70	EA	88,100,100(4X4),110	
	95-221	Oil seal 84-99	26227-58	EA	88,100,100(4X4),110	
	98-618	Idler pin 84-99	26327-68	EA	88,100,100(4X4),110	
	98-615	Feed, drive gear 14T 84-99	26328-74	EA	88,100	
	98-616	Feed, idler gear 14T 84-99	26326-62A	EA	88,100	
	98-614	Return, idler gear 14T 84-99	26317-68A	EA	88,100	
	98-613	Return, drive gear 14T 84-99	26315-68A	EA	88,100	
	78-398	Gasket, oil pump cover 92-99 paper Cometic	26276-92	PKG 10	88,100	
	78-396	Gasket, oil pump base 92-99 paper Cometic	26273-92	PKG 10	88,100	
	98-617	Check ball	8873	EA	88,100	
	98-620	Check ball spring	26262-80	EA	88,100	
	98-623	Plunger	26400-82	EA	88,100	
	98-619	Plunger spring	26207-83	EA	88,100	
	41-888	Spring cap	26263-80	KIT	88,100	
	95-828	O-ring 84-99	11105	PKG 5	88,100,100(4X4),110	
	98-515	Oil pump, Ultima 92-99 std. vol. polished w/hdwre & gskts		EA	88,100	
	98-517	Oil pump, Ultima 92-99 High output polished w/hdwre & gskts		EA	88,100,100(4X4),110	
	98-520	Oil pump, Ultima 92-99 High output wrinkle blk w/hdwre & gskts		EA	88,100,100(4X4),110	
	78-379	Gasket, cam cover 93-99	25225-93	EA	88,100,100(4X4),110	
	98-585	Gear, pinion Orange	24040-78	EA	88,100,100(4X4),110	
	98-586	Gear, pinion White	24041-78	EA	88,100,100(4X4),110	
	98-587	Gear, pinion Yellow	24042-78	EA	88,100,100(4X4),110	
	98-588	Gear, pinion Red	24043-78	EA	88,100,100(4X4),110	
	98-589	Gear, pinion Blue	24044-78	EA	88,100,100(4X4),110	
	98-590	Gear, pinion Green	24045-78	EA	88,100,100(4X4),110	
	98-591	Gear, pinion Black	24046-78	EA	88,100,100(4X4),110	
	98-89	Pinion gear spacer	24703-54B	EA	88,100,100(4X4),110	
	98-359	Gear, oil pump drive 54-89	26349-73	EA	88,100	
	98-512	Gear, breather std.	25313-77A	EA	88,100	
	98-494	Gear, breather +.030"	25313-77A	EA	88,100	
	98-80	Shim, breather gear .110" 79-99	25313-77A	EA	88,100	
	98-81	Shim, breather gear .115" 79-99	25321-79	EA	88,100	
	98-82	Shim, breather gear .120" 79-99	25322-79	EA	88,100	
	98-83	Shim, breather gear .115" 79-99	25323-79	EA	88,100	
	98-302	Nut, pinion gear 54-89	24023-54	EA	88,100,100(4X4),110	
	98-305	Woodruff key 54-89	23985-54	EA	88,100,100(4X4),110	
	98-372	Washer, cam thrust	25550-57	EA	88,100,100(4X4),110	
	98-375	Cam shim .055" 84-99	25551-36	EA	88,100,100(4X4),110	
	98-376	Cam shim .060" 84-99	25552-36	EA	88,100,100(4X4),110	
	98-377	Cam shim .065" 84-99	25553-36	EA	88,100,100(4X4),110	
	98-378	Cam shim .070" 84-99	25554-36	EA	88,100,100(4X4),110	
	98-379	Cam shim .075" 84-99	25555-36	EA	88,100,100(4X4),110	
	98-380	Cam shim .080" 84-99	25556-36	EA	88,100,100(4X4),110	
	114-52	Camshaft Andrews EV27 84-99		EA	88	
	114-246	Ultima cam .625" lift (may require high lift springs)		EA	100,100(4X4),110	
	88-70	Cam cover 93-99 w/hdwre & gasket chrome	25266-93A	EA	88,100,100(4X4),110	
	95-222	Oil seal	83162-51	EA	88,100,100(4X4),110	
	53-528	Ignition rotor (gold)	32402-83	EA	88,100,100(4X4),110	
	53-529	Ignition rotor screw	2611C	EA	88,100,100(4X4),110	
	91-352	Ignition timing screws	32606-82	EA	88,100,100(4X4),110	
	89-304	Point cover domed, chrome 70-99	32524-83	EA	88,100,100(4X4),110	
	89-114	Point cover Ultima domed, chrome 70-99 w/hdwre & gasket	32524-83	EA	88,100,100(4X4),110	
	98-358	Gear, oil pump driven 73-95 24T	26345-73	EA	88,100	
	95-115	Wristpin bushing, std. size	24334-36	EA	88,100,100(4X4),110	
	95-389	Wristpin bushing, +.002"		EA	88,100,100(4X4),110	

REVTECH® 88, 100, 100 (4X4), 110 C.I.

#	PART#	DESCRIPTION	OEM#	QTY	DISPLACEMENT FITMENT
	98-531	Pinion bearing retaining ring	11177	EA	88,100,100(4X4),110
	95-602	Pinion bearing 87-99 White	24626-87	EA	88,100,100(4X4),110
	95-603	Pinion bearing 87-99 Green	24628-87	EA	88,100,100(4X4),110
	95-604	Pinion bearing 87-99 Red	24641-87	EA	88,100,100(4X4),110
	95-605	Pinion bearing 87-99 Blue	24643-87	EA	88,100,100(4X4),110
	95-173	Cam bearing	9058	EA	88,100,100(4X4),110
	21-123	Spigot tube 84-99	63533-41	EA	88,100,100(4X4),110
	17-65	Oil pressure switch tall	26561-84	EA	88,100,100(4X4),110
	17-61	Oil pressure switch short	26552-72	EA	88,100,100(4X4),110
	98-510	Screen, crankcase	24981-70	EA	88,100,100(4X4),110
	98-511	Spring, crankcase 70-99	24982-70	EA	88,100,100(4X4),110
	41-888	Plug, tappet screen	26263-80	EA	88,100,100(4X4),110
	95-320	Bearing & race set	9028	SET	88,100,100(4X4),110
	98-360	Sprocket shaft spacer 71-99	24002-70	EA	88,100,100(4X4),110
	95-805	Oil seal	12026	EA	88,100,100(4X4),110
	98-490	Allen timing plug 70-99 chrome		EA	88,100,100(4X4),110
	300-453	Bushing, oil pump 36 & ltr	24641-36	EA	88,100,100(4X4),110
	78-321	2 piece gasket set with silicone bead 84-99		SET	88,100

Every attempt has been made to insure proper fitment of our parts for the applications listed in this guide. It is the end users responsibility to exercise good judgement in the part selection, installation & maintenance of their motor when installing parts referred to in this reference guide. Midwest MC Supply has no control over the judgement of others & assumes no responsibility or liability of any nature for the failure of others to use good judgement.

ULTIMA® SHOVELHEAD 96 C.I.

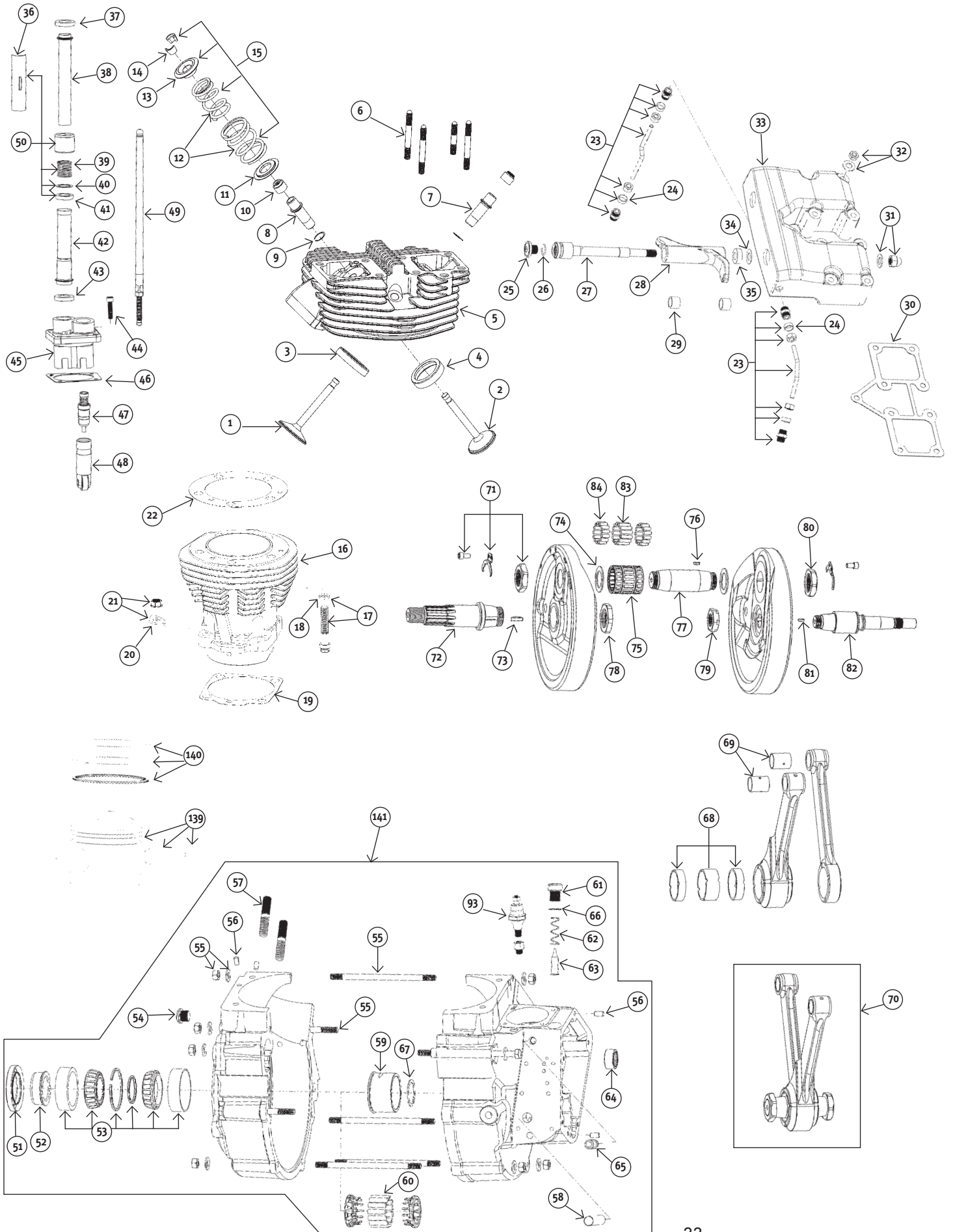


ULTIMA® SHOVELHEAD 96 C.I.

#	PART#	DESCRIPTION	OEM#	QTY	#	PART#	DESCRIPTION	OEM#	QTY
1	71-137	Rocker cover & feed oil lines. 66-84		kit	77	98-325	Snap ring	26348-36	each
2	95-127	Oil line sleeve/O-ring	63529-57	each	78	53-528	Ignition rotor (gold)	32402-83	each
3	41-779	Rocker shaft hardware		set	79	53-529	Ignition rotor screw	2611C	each
4	95-701	O-ring	11101	each	80	91-352	Ignition timing screws	32606-82	each
5	91-277	Rocker arm shim .005"		each	81	89-114	Ignition cover, Ultima w/screws		each
	91-469	Rocker arm shim .010"		each	82	96-299A	Oil seal	83162-51	each
	91-470	Rocker arm shim .020"		each	83	88-110	Cam cover	25268-84A	each
6	91-549	Rocker arm spacer	17452-66	each	84	78-672	Gasket, cam cover	25225-70B	each
7	95-356	Bushing	17428-57	each	85	114-16	Cam for Ultima 96" Shovelhead, Andrews BH		each
8	91-287	Rocker arm shaft	17611-66A	each	86	98-378	Cam shim .070"	25554-36	each
9	91-313	Rear exh./front int. rocker arm	17360-66	each		98-375	Cam shim .055"	25551-36	each
	91-314	Front exh./rear int. rocker arm	17375-66	each		98-376	Cam shim .060"	25552-36	each
10	40-318	Chrome rocker cover hdwre kit, 66-84, 18 hex nuts/18 flat washers	7753 6016	kit		98-377	Cam shim .065"	25553-36	each
11	89-344	Rocker arm covers, chrome, 66-84 includes chrome spacers		set		98-379	Cam shim .075"	25555-36	each
12	78-700	Rocker box gasket		each		98-380	Cam shim .080"	25556-36	each
13	91-1	Intake valve		each	87	98-372	Washer, cam thrust	25550-57	each
14	91-2	Exhaust valve		each	88	98-359	Gear, oil pump drive	26349-73	each
15	91-573	Intake valve seat		each	89	98-305	Woodruff key	23985-54	each
16	91-572	Exhaust valve seat		each	90	98-89	Pinion gear spacer	24703-54B	each
17	93-772	Compression release 10mm		each	91	98-588	Gear, pinion Red	24043-78	each
18	91-706	Valve guide, int.		each		98-585	Gear, pinion Orange	24040-78	each
19	91-724	Valve guide, exh.		each		98-586	Gear, pinion White	24041-78	each
20	91-342	Valve guide seal		each		98-587	Gear, pinion Yellow	24042-78	each
21	91-688	Rocker box stud kit 66-84 8 long, 2 short, 1 motor mt.		kit		98-589	Gear, pinion Blue	24044-78	each
22	91-346	Valve spring seat		each		98-590	Gear, pinion Green	24045-78	each
23	91-548	Springs		set		98-591	Gear, pinion Black	24046-78	each
24	91-546	Valve spring collar		set	92	98-358	Gear, oil pump driven	26345-73	each
25	91-244	Valve keepers		set	93	98-512	Breather gear std.	25313-77	each
26	93-261	Front cylinder, black 3-5/8 bore stock height		each		98-494	Breather gear +.030" 77 & ltr	25313-77	each
	93-262	Rear cylinder, black 3-5/8 bore stock height		each	94	98-80	Breather gear shim .110" 79 & ltr	25313-77A	each
27	78-703	Head gasket		each		98-81	Breather gear shim .115" 79 & ltr	25321-79	each
28	78-702	Base gasket		each		98-82	Breather gear shim .120" 79 & ltr	25322-79	each
29	41-943	Base stud nuts & washers		kit		98-83	Breather gear shim .125" 79 & ltr	25323-79	each
30	93-421	Head bolt & washer kit, cad plated 48-84	6469	kit	95	98-302	Nut, pinion	24023-54	each
31	41-993	Cylinder base stud set 78-84 8 pcs.	16837-78	set	96	40-614	Bolt kit for Ultima cam cvr. Chrome		kit
32	95-805	Oil seal	12026	each	97	91-636	Hydraulic lifter, Jims powerglide		each
33	98-360	Spacer, sprocket shaft 71-99 BT	24002-700	each	98	78-670	Front tappet guide gasket		each
34	95-320	Bearing & race set	9028	set		78-671	Rear tappet guide gasket		each
35	98-490A	Timing plug	720	each	99	91-638	Tappet guide set, chrome		set
36	98-545	Set screw 10-24		each	100	91-262	Pushrod set		set
37	300-533	Case bolt 5/16-18 x 2-3/4		each	101	91-331	Pushrod cover assy. Chrome		set
38	300-535	Case bolt 1/4-20 x 4.0		each	102	95-701	O-ring Pushrod cover upper & lower	11101	each
39	300-534	Case bolt 5/16-18 x 3-1/2		each	103	95-241	O-ring Pushrod cover middle	11132	each
40	98-544	1/4 pipe plug for case		each	104	98-517	Oil pump complete H.O. 92 & ltr polished		each
41	300-453	Bushing, oil pump 36 & ltr		each		98-520	Oil pump complete H.O. 92 & ltr black		each
42	21-123	Spigot tube	63533-41	each	105	98-524	Crankshaft assy. 4.625" stroke .792" wristpin		assy.
43	98-531	Pinion bearing retaining ring	11177	each	106	93-140	Ultima Shovelhead piston set by Ross rings, clips & pins included std. bore		set
44	95-602	Pinion bearing White	24626-87	each		93-141	Ultima Shovelhead piston set by Ross rings, clips & pins included .005" over		set
	95-603	Pinion bearing Green	24628-87	each		93-142	Ultima Shovelhead piston set by Ross rings, clips & pins included .010" over		set
*	95-604	Pinion bearing Red	24641-87	each		93-143	Ultima Shovelhead piston set by Ross rings, clips & pins included .020" over		set
	95-605	Pinion bearing Blue	24643-87	each	107	98-339	Sprocket shaft		each
45	95-173	Cam bearing	9058	each	108	94-137	Woodruff key	23985-56	each
46	98-540	Dowel pin .250"x.500"	358	each	109	98-421	Nut, crank pin 1"-20	23969-83	each
47	98-543	3/16 Hi pressure plug		each	110	98-652	Crankshaft halves only 4.625" Stroke .792 wristpin		each
48	98-510	Screen, crankcase	24981-70	each	111	98-539	Nut, sprocket shaft 1-1/8"-16	24017-80	each
49	98-511	Spring, crankcase 70-99 BT	24982-70	each	112	98-537	Crankpin w/nut & key		each
50	98-538	Screen plug		each	113	95-145	Rod race set for 7.44" rods		each
51	95-429	Bearing race	24599-58B	each	114	98-422	Nut, pinion shaft 3/4"-20	24016-80	each
52	300-541	Alignment pin .500" x.500"		each	115	98-546	Pinion Shaft std length		each
53	206-21	96" Ultima Shovelhead case assembly, natural		assy	116	98-475	Woodruff key	11218	each
54	41-888	Spring cap	26263-80	kit	117	95-259	Rod roller bearings & retainer cage	24385-40B	each
55	95-828	O-ring 84-99	11105	pkg. 5	118	98-573	Connecting rods H-beam 7.440" w/bushings & races		each
56	98-619	Plunger spring	26207-83	each	119	95-142	Replacement wristpin bushing .792"	24334-36	each
57	98-620	Check ball spring	26262-80	each					
58	98-617	Check ball	8873	each					
59	98-623	Plunger	26400-82	each					
60	98-618	Idler pin	26327-68	each					
61	98-605	Gear, return idle 10T		each					
62	98-604	Gear, return drive 10T		each					
63	98-607	Gear, feed idle 10T		each					
64	98-606	Gear, feed drive 10T		each					
65	95-753	Oil seal	26227-58	pkg. 5					
66	98-329	Clip ring	11002	each					
67	98-334	Drive shaft	26346-70	each					
68	98-272	Woodruff key	26348-15	each					
69	21-185	Spigot elbow		each					
70	98-622	Pressure plug	45830-48	each					
71	21-123	Spigot tube	63533-41	each					
72	98-625	Base gasket 92 & ltr		each					
73	98-627	Cover gasket 92 & ltr		each					
74	98-602	Pump base H.O. 92 & ltr pol.		each					
75	98-603	Pump cover H.O. 92 & ltr pol.		each					
76	41-740	Oil pump hardware kit		each					

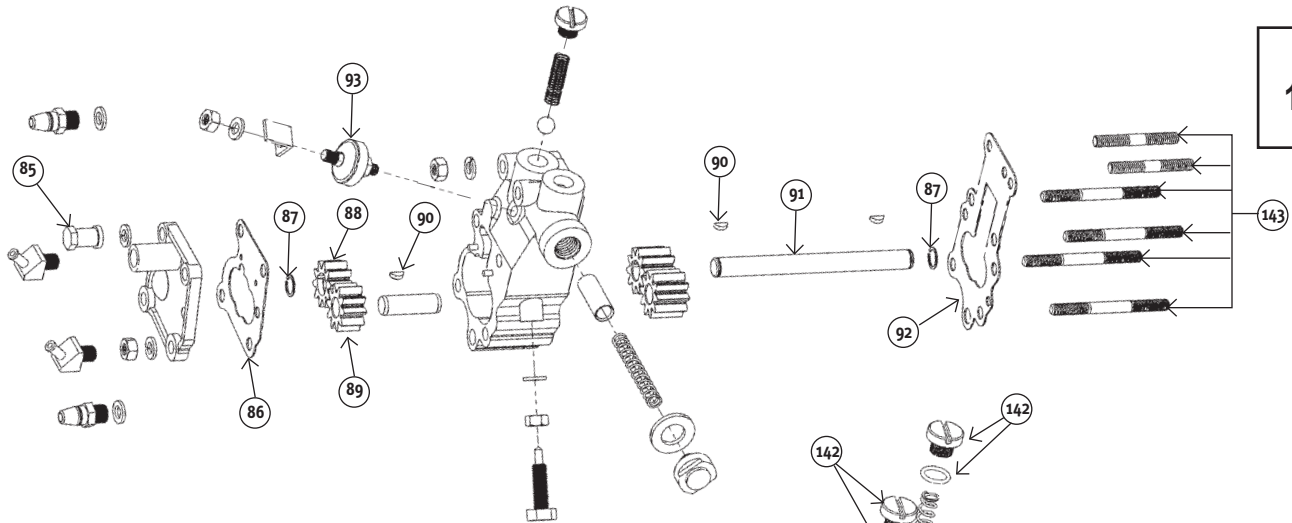
Every attempt has been made to insure proper fitment of our parts for the applications listed in this guide. It is the end users responsibility to exercise good judgement in the part selection, installation & maintenance of their motor when installing parts referred to in this reference guide. Midwest MC Supply has no control over the judgement of others & assumes no responsibility or liability of any nature for the failure of others to use good judgement.

HARLEY DAVIDSON® 74 & 80 C.I. SHOVELHEAD®

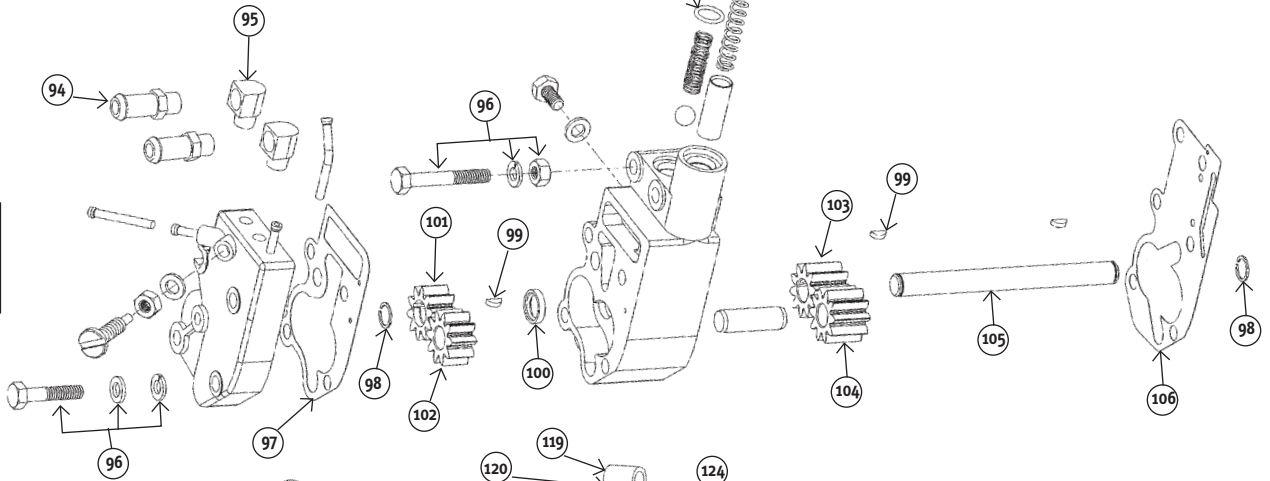


HARLEY DAVIDSON® 74 & 80 C.I. SHOVELHEAD®

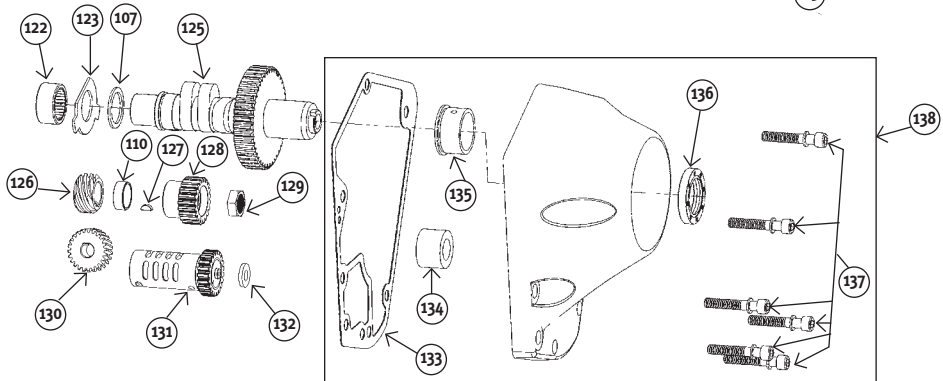
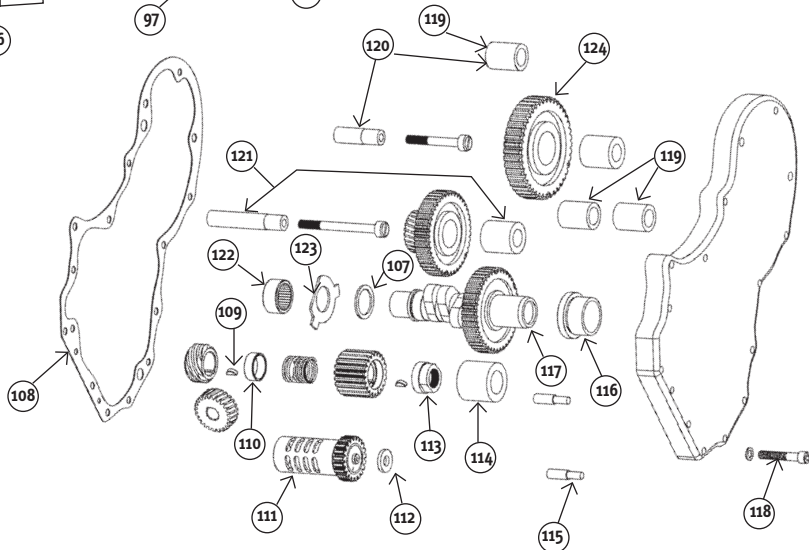
**74''
1966-67**



**74'' & 80''
1968-84**



**74''
1966-69**



**74'' & 80''
1970-84**

HARLEY DAVIDSON® 74 & 80 C.I. SHOVELHEAD®

#	PART#	DESCRIPTION	OEM#	QTY	#	PART#	DESCRIPTION	OEM#	QTY
1	91-180	Valve, intake 66-84 stock replacement	18074-66	each	36	91-328	Pushrod retainer	17950-66	each
2	91-137	Valve, exhaust 48-83 stock replacement	18082-57	each	37	95-701	O-ring	11101	each
3	91-684	Valve seat, int. 66-84 2.164" OD, 1.750" ID, .453" Tall Unleaded		each	38	91-512	Upper pushrod cover 36-79		kit
	91-685	Valve seat, int. 66-84 2.194" OD, 1.800" ID, .453" Tall Unleaded		each		91-634	Upper pushrod cover 79-84		kit
4	91-687	Valve seat, exh. 66-84 2.007" OD, 1.562" ID, .453" Tall Unleaded		each	39	91-321	Inner pushrod spring	17947-36	each
	91-682	Valve seat, exh. 66-84 2.016" OD, 1.625" ID, .453" Tall Unleaded		each	40	91-322	Inner pushrod washer	6762B	each
5	93-130	Front cylinder head 74" & 80" natural, stock bore, complete		each	41	95-241	O-ring 79-84	11132	each
	93-131	Rear cylinder head 74" & 80" natural, stock bore, complete		each	42	89-134	Lower pushrod cover w/necessary corks 48-79		set
	93-130M	Front cylinder head 74" & 80" natural, stock bore, bare		each		89-59	Lower pushrod cover grooved w/necessary corks		set
	93-131M	Rear cylinder head 74" & 80" natural, stock bore, bare		each	43	95-435	Pushrod tube seal kit (square neoprene)		kit
6	91-688	Rocker box stud kit 66-84 8 long, 2 short, 1 motor mt.		kit		95-701	O-ring	11101	each
7	91-372	Valve guide 74" 48-79 intake std.		each	44	40-523	Stainless lifter base screw kit 76-99		kit
	91-373	Valve guide 74" 48-79 intake +.001"		each		41-768	Chrome 1/4-20 screw kit 76 & later		kit
	91-374	Valve guide 74" 48-79 intake +.002"		each		41-988	8 Piece chrome 1/4-20 12 point screw kit 76 & ltr		kit
	91-375	Valve guide 74" 48-79 intake +.003"		each		91-300	16 Piece chrome screw & washer set 1/4-24 taper screws		set
	91-376	Valve guide 74" 48-79 intake +.004"		each	45	91-361	Black tappet guide front cylinder	18600-66B	each
	91-377	Valve guide 74" 48-79 intake +.006"		each		91-362	Black tappet guide rear cylinder	18610-66B	each
	91-355	Valve guide 80" 80-84 intake std.		each		91-526	Chrome tappet guide front cylinder	18600-66B	each
	91-234	Valve guide 80" 80-84 intake +.001		each		91-527	Chrome tappet guide rear cylinder	18610-66B	each
	91-357	Valve guide 80" 80-84 intake +.002		each		91-638	Chrome tappet guide set w/screws 1/4-20 & 1/4-24		set
	91-359	Valve guide 80" 80-84 intake +.003		each	46	78-373	Tappet block gasket rear 48-84 .020" fiber Cometic	18633-48D	pkg 10
	91-384	Valve guide 80" 80-84 intake +.004		each		78-374	Tappet block gasket front 48-84 .020" fiber Cometic	18634-48D	pkg 10
	91-385	Valve guide 80" 80-84 intake +.006		each	47	91-605	Hydraulic unit 66-84	17920-53A	each
8	91-378	Valve guide 74" 48-79 exhaust std.		each	48	91-285	Hydraulic tappet 66-84	18522-53A	each
	91-379	Valve guide 74" 48-79 exhaust +.001"		each	49	91-830	Pushrod 66-84		set
	91-380	Valve guide 74" 48-79 exhaust +.002"		each		91-831	Pushrod 66-84 for strokers .250" longer		set
	91-381	Valve guide 74" 48-79 exhaust +.003"		each	50	89-62	Upper/outer pushrod cover kit 66-84		set
	91-382	Valve guide 74" 48-79 exhaust +.004"		each	51	95-110	Oil seal, sprocket shaft 55-68	24031-55	each
	91-383	Valve guide 74" 48-79 exhaust +.006"		each		95-105	Oil seal, sprocket shaft 69-99	12026	each
	91-356	Valve guide 80" 80-84 exhaust std.		each		95-805	Oil seal, sprocket shaft 69-99	12026	each
	91-237	Valve guide 80" 80-84 exhaust +.001		each	52	98-360	Sprocket shaft spacer 69-99	24002-70	each
	91-380	Valve guide 80" 80-84 exhaust +.002		each	53	95-318	Timken engine case bearing 58-68	9029	each
	91-381	Valve guide 80" 80-84 exhaust +.003		each		95-320	Timken engine case bearing 69 & ltr.	9028	each
	91-382	Valve guide 80" 80-84 exhaust +.004		each	54	98-299	Timing plug 52-69 chrome reproduction	704	each
	91-383	Valve guide 80" 80-84 exhaust +.006		each		98-490	Timing plug 70 & ltr. chrome allen style	720	each
9	78-370	Valve guide gasket	18196-51	pkg 5	55	41-880	Motor case stud kit B.T. 65-69		kit
10	91-342	Valve seal & sleeve 48-81		each		41-881	Motor case stud kit B.T. 70-78		kit
	91-341	Valve seal & sleeve 81 & ltr.		each		41-882	Motor case stud kit B.T. 79-95		kit
11	91-657	Lower collar 48-79 stock spring travel		set	56	98-540	Dowel .250"x.500"		each
	91-658	Lower collar 48-79 +.030" spring travel		set	57	41-992	Cylinder base stud set 30-77 8 pcs.	16831-30	set
12	91-224	Valve spring set 66-84 4 inner & 4 outer		set		41-993	Cylinder base stud set 78-84 8 pcs.	16837-78	set
13	91-269	Top valve collars 66-84 set of 4		set	58	300-453	Bushing, oil pump 36 & ltr	24641-36	each
14	91-244	Valve keepers 74" & 80"	18228-36	set	59	95-310	Bearing race 58-92 std. size	24599-58	each
15	91-535	Valve spring kit w/titanium top collars .465" lift		kit		95-430	Bearing race 58-92 +.002"	24600-58A	each
	91-652	Valve spring kit w/steel top collars .465" lift		kit	60	95-488	Crank case rollers std.	9220A	pkg 100
16	93-270	Front cylinder 74" black stk. bore stk. height		each		95-489	Crank case rollers +.0002"	9221A	pkg 100
	93-271	Rear cylinder 74" black stk. bore stk. height		each		95-490	Crank case rollers +.0004"	9222A	pkg 100
	93-268	Front cylinder 80" black stk. bore stk. height		each		95-491	Crank case rollers +.0006"	9223A	pkg 100
	93-269	Rear cylinder 80" black stk. bore stk. height		each		95-492	Crank case rollers +.0008"	9224A	pkg 100
	93-261	Front cylinder black 3-5/8 bore stk. height		each		95-493	Crank case rollers +.001"	9225A	pkg 100
	93-262	Rear cylinder black 3-5/8 bore stk. height		each		95-494	Crank case rollers +.002"	9220A	pkg 100
	93-263	Front cylinder black 3-5/8 bore +.200" taller		each	61	98-538	Screen plug	26263-80	each
	93-264	Rear cylinder black 3-5/8 bore +.200" taller		each	62	98-511	Spring, crank case 70 & ltr	24982-70	each
17	93-421	Head bolt & washer kit, cad plated 48-84	6469	kit	63	98-510	Screen, crank case 70 & ltr	24981-70	each
18	41-398	Head bolt washer heat treated, cad plated		set	64	95-173	Bearing, cam 66 & ltr	9058	each
19	78-33	Cylinder base gasket front 66-84 74" or 80"	16776-63	each	65	21-123	Spigot tube	63533-41	each
	78-51	Cylinder base gasket rear 66-84 74" or 80"	16777-63	each	66	95-703	O-ring 79-84	1105	pkg 10
	78-636	Cylinder base gasket Ft & Rr 66-84 74" or 80" .020" Viton		pair	67	98-266	Retaining ring 58-86	11007	each
20	41-994	Cyl. Base stud spacer 78-84	16836-78	set	68	95-165	Rod races set of 3 41 & ltr		set
21	41-401	Base nut & washer set chrome 16 pce set		set	69	95-115	Piston pin bushing std. size	24334-36	each
22	78-61	Head gasket Ft & Rr 66-84 74" & 80" teflon	16770-66	each		95-389	Piston pin bushing +.002"		each
	78-639	Head gasket Ft & Rr 66-84 74" & 80" copper .032" Cometic		pair	70	95-390	Piston pin bushing +.010"		each
23	71-137	Rocker cover & feed oil lines. 66-84		kit		98-262	Rod assembly 41-73 74"	24281-41A	set
24	95-127	Oil line sleeve/O-ring	63529-57	each		98-323	Rod assembly 74-81 74" & 80"	24281-74	set
25	41-426	Allen rocker plug set 71-84		pkg 4		98-413	Rod assembly 81-83 80"	24281-80	set
	41-896	Allen rocker plug set 71-84		kit		98-414	Rod assembly 83 & ltr 80"	24281-83A	set
26	95-701	O-ring	11101	each	71	98-303	Crankpin nuts, locks & screws 41-81 1"-18 thread		kit
27	91-287	Rocker arm shaft	17611-66A	each	72	98-293	Sprocket shaft 65-69	24001-65	each
28	91-313	Rear exh./front int. rocker arm	17360-66	each		98-294	Sprocket shaft 70-71	24001-70	each
	91-314	Front exh./rear int. rocker arm	17375-66	each		98-295	Sprocket shaft 72-81	24001-72	each
29	95-356	Bushing	17428-57	each		98-339	Sprocket shaft 81-85	23909-80	each
30	78-632	Rocker cover gasket 66-84 .020" viton coated (Cometic)		pkg 2	73	94-137	Key sprocket shaft 56 & ltr	23985-56	each
	78-368	Rocker cover gasket 66-84 .031" fiber (Cometic)		pkg 10	74	98-271	Flywheel washer 41-70	23973-41	each
31	41-420	Rocker shaft nuts red cap 7/16-20 66-84	7872	each		98-298	Flywheel washer 70-ltr	6506	each
	41-418	Rocker shaft nuts chrome hex 7/16-20 66-84	7872	kit	75	95-259	Roller & retainer set std. aluminum	24385-40B	kit
32	40-318	Chrome rocker cover hdwre kit 66-84 18 hex nuts/18 flat washers	7753 6016	kit		95-621	Roller & retainer set std.	24346-87A	kit
	40-547	Stainless rocker cover hdwre kit 66-84 18 hex nuts/18 flat washers		kit	76	98-273	Key 41-81	23985-18	each
33	89-344	Rocker arm covers chrome 66-84 includes chrome spacers		set		98-475	Key 81 & ltr	11218	each
	89-389	Rocker arm covers polished 66-84 includes chrome spacers		set	77	98-255	Crank pin 74" & 80" 3 hole 41-81	23961-41	each
34	91-277	Rocker arm shim .005"		each		98-465	Crank pin 74" & 80" 1 hole 41-81	23961-41	each
	91-469	Rocker arm shim .010"		each		98-419	Crank pin 81<r 180 degree-3 hole(use late nuts 1"-20 thread)	23961-80	each
	91-470	Rocker arm shim .020"		each	78	98-424	Sprocket shaft nut 30-81 3/4"-18	24023-36	each
35	91-549	Rocker arm spacer	17452-66	each		98-423	Sprocket shaft nut 81-85 1-1/8"-16	24017-80	each

HARLEY DAVIDSON® 74 & 80 C.I. SHOVELHEAD®

#	PART#	DESCRIPTION	OEM#	QTY	#	PART#	DESCRIPTION	OEM#	QTY
79	98-424	Pinion shaft nut 30-81 3/4"-18	24023-36	each	116	95-108	Bushing	25581-36	each
	98-422	Pinion shaft nut 81-89	24016-80	each	117	114-17	Cam 48-69 Andrews BH Hyd. Mild perf.		each
80	98-288	Crank pin nut 41-81 1"-18	23966-54A	each	118	41-780	Timing cover screw kit allen, chrome		kit
	98-421	Crank pin nut 83 & ltr 1"-20	23969-83	each		91-301	Timing cover screw kit slotted, chrome		kit
81	98-274	Key 41-81	23985-12	each	119	95-343	Bushing	25785-30A	each
	98-475	Key 81 & ltr	11218	each	120	91-310	Stud & bushing kit 36-69	25791-36	kit
82	98-256	Pinion gear shaft 58-72	24006-58	each	121	95-418	Stud & bushing kit 36-69	25856-36	kit
	98-291	Pinion gear shaft 73-81	24006-43	each	122	95-173	Bearing, cam 66 & ltr	9058	each
	98-355	Pinion gear shaft 81-86	24006-80	each	123	98-372	Washer, cam thrust 58-99	25550-57	each
83	95-476	Long roller 36-72 18 used, std. use w/steel cage	9171A	pkg 100	124	98-480	Idler gear w/lightening holes 36-69	25775-36	each
	95-477	Long roller 36-72 18 used, .0002 os use w/steel cage	9172A	pkg 100	125	114-15	Cam 70-77 Andrews BH		each
	95-478	Long roller 36-72 18 used, .0004 os use w/steel cage	9173A	pkg 100		114-16	Cam 78-84 Andrews BH		each
	95-479	Long roller 36-72 18 used, .0006 os use w/steel cage	9174A	pkg 100	126	98-359	Oil pump drive gear 6T use only w/24T driven gear		each
	95-480	Long roller 36-72 18 used, .0008 os use w/steel cage	9175A	pkg 100	127	98-305	Key 54-89	23985-54	each
	95-481	Long roller 36-72 18 used, .001 os use w/steel cage	9176A	pkg 100	128	98-443	Pinion gear 54-77 Orange	24010	each
	95-482	Long roller 73-86 18 used, std. use w/aluminum cage	9186	pkg 100		98-445	Pinion gear 54-77 Red	24010	each
	95-483	Long roller 73-86 18 used, .0002 os use w/aluminum cage	9180	pkg 100		98-446	Pinion gear 54-77 Blue	24010	each
	95-484	Long roller 73-86 18 used, .0004 os use w/aluminum cage	9181	pkg 100		98-447	Pinion gear 54-77 Green	24010	each
	95-485	Long roller 73-86 18 used, .0006 os use w/aluminum cage	9182	pkg 100		98-448	Pinion gear 54-77 White	24010	each
	95-486	Long roller 73-86 18 used, .0008 os use w/aluminum cage	9183	pkg 100		98-449	Pinion gear 54-77 Brown	24010	each
	95-487	Long roller 73-86 18 used, .001 os use w/aluminum cage	9184	pkg 100		98-450	Pinion gear 54-77 Yellow	24010	each
84	95-463	Short roller 36-72 36 used, std. use w/steel cage	9101A	pkg 100		98-451	Pinion gear 77-89 Orange	24040	each
	95-464	Short roller 36-72 36 used, .0002 os use w/steel cage	9102A	pkg 100		98-586	Pinion gear 77-89 White	24041	each
	95-465	Short roller 36-72 36 used, .0004 os use w/steel cage	9103A	pkg 100		98-587	Pinion gear 77-89 Yellow	24042	each
	95-466	Short roller 36-72 36 used, .0006 os use w/steel cage	9104A	pkg 100		98-588	Pinion gear 77-89 Red	24043	each
	95-467	Short roller 36-72 36 used, .0008 os use w/steel cage	9105A	pkg 100		98-589	Pinion gear 77-89 Blue	24044	each
	95-468	Short roller 36-72 36 used, .001 os use w/steel cage	9106A	pkg 100		98-456	Pinion gear 77-89 Green	24045	each
	95-520	Short roller 73-86 36 used, .0002 os use w/aluminum cage	9450A	pkg 100		98-457	Pinion gear 77-89 Black	24046	each
	95-513	Short roller 73-86 36 used, std. use w/aluminum cage	9441A	pkg 100	129	98-302	Pinion gear shaft nut 54-89	24023-54	each
	95-514	Short roller 73-86 36 used, .0002 os use w/aluminum cage	9442A	pkg 100	130	98-358	Oil pump driven gear 73-95 24T	26345-73	each
	95-515	Short roller 73-86 36 used, .0004 os use w/aluminum cage	9443A	pkg 100	131	98-495	Breather gear 48-77	25313-73	each
	95-516	Short roller 73-86 36 used, .0006 os use w/aluminum cage	9444A	pkg 100		98-496	Breather gear 48-77 +.030"	25313-73	each
	95-517	Short roller 73-86 36 used, .0008 os use w/aluminum cage	9445A	pkg 100		98-512	Breather gear 77-99	25313-77A.B	each
	95-518	Short roller 73-86 36 used, .0015 os use w/aluminum cage	9415	pkg 100		98-494	Breather gear 77-99 +.030"	25313-77A.B	each
	95-519	Short roller 73-86 36 used, .001 os use w/aluminum cage	9446A	pkg 100	132	98-75	Breather gear spacer 50-79 .110"	25316-52	each
85	41-400	Nut for 36-67 chrome	24831-41	each		98-76	Breather gear spacer 50-79 .115"	25313-50	each
86	78-389	Cover gasket 50-67	26257-50A	pkg 5		98-77	Breather gear spacer 50-79 .120"	25314-50	each
87	98-325	Retaining ring	26348-36	each		98-78	Breather gear spacer 50-79 .125"	25315-50	each
	98-329	Retaining ring eyelet style	11002	each		98-80	Breather gear spacer 79 & ltr .110"	25320-79	each
88	98-66	Drive gear 41 & ltr	26328-74	each		98-81	Breather gear spacer 79 & ltr .115"	25321-79	each
89	98-65	Idler gear 62 & ltr	26326-62A	each		98-82	Breather gear spacer 79 & ltr .120"	25322-79	each
90	98-272	Key	26348-15	each		98-83	Breather gear spacer 79 & ltr .125"	25323-79	each
91	98-309	Drive shaft	26346-36	each		98-84	Breather gear spacer 79 & ltr .130"	25325-79	each
92	78-385	Body gasket 41-67	26245-41	pkg 5		98-85	Breather gear spacer 79 & ltr .135"	25326-79	each
93	17-61	Oil pressure switch 74" & 80" 41-85	26551-39C	each		98-86	Breather gear spacer 79 & ltr .140"	25327-79	each
94	21-123	spigot tube	63533-41	each		98-87	Breather gear spacer 79 & ltr .145"	25328-79	each
95	21-185	spigot elbow		each		98-88	Breather gear spacer 79 & ltr .150"		each
96	41-771	Oil pump mounting kit 68-77		kit	133	78-378	Gasket, cam cover 70-84 Cometic	25225-70B	pkg 5
	41-772	Oil pump mounting kit 78-91		kit	134	95-341	Bushing, pinion 73-92	25582-73	each
97	78-392	Oil pump cover gasket 68-80 fiber	26258-58D	pkg 10	135	95-340	Bushing, cam	25581-70	each
	78-397	Oil pump cover gasket 80-84 fiber	26276-80A	pkg 10	136	95-222	Oil seal	83162-51	each
98	98-325	Retaining ring	26348-36	each	137	40-534	Cam cover allen screw kit 71 & ltr		kit
99	98-272	Key	26348-15	each	138	88-53	Cam cover 73-92 chrome w/hdwre & gaskets		each
100	95-221	Oil seal	26227-58	each	139	93-800	Pistons 74" 66-79 8.5 to 1 moly coated std. bore		each
101	98-66	Feed drive gear	26328-74	each		93-801	Pistons 74" 66-79 8.5 to 1 moly coated +.010"		each
102	98-65	Feed idler gear	26326-62A	each		93-802	Pistons 74" 66-79 8.5 to 1 moly coated +.020"		each
103	98-63	Return drive gear	26315-68A	each		93-803	Pistons 74" 66-79 8.5 to 1 moly coated +.030"		each
104	98-64	Return idler gear	26317-68A	each		93-804	Pistons 74" 66-79 8.5 to 1 moly coated +.040"		each
105	98-334	Drive shaft 68 & ltr	26346-70	each		93-806	Pistons 80" 80-84 8.5 to 1 moly coated std. bore		each
106	78-387	Oil pump body gasket 68-80	26246-68D	pkg 10		93-807	Pistons 80" 80-84 8.5 to 1 moly coated +.010"		each
107	98-374	Cam shim .050" 36-87	25550-36	each		93-808	Pistons 80" 80-84 8.5 to 1 moly coated +.020"		each
	98-375	Cam shim .055" 36-87	25551-36	each		93-809	Pistons 80" 80-84 8.5 to 1 moly coated +.030"		each
	98-376	Cam shim .060" 36-87	25552-36	each		93-810	Pistons 80" 80-84 8.5 to 1 moly coated +.040"		each
	98-377	Cam shim .065" 36-87	25553-36	each	140	93-330	Rings 74" std. bore Hastings		pair
	98-378	Cam shim .070" 36-87	25554-36	each		93-331	Rings 74" +.010" Hastings		pair
	98-379	Cam shim .075" 36-87	25555-36	each		93-332	Rings 74" +.020" Hastings		pair
	98-380	Cam shim .080" 36-87	25556-79	each		93-333	Rings 74" +.030" Hastings		pair
	98-381	Cam shim .085" 36-87	25557-79	each		93-334	Rings 74" +.040" Hastings		pair
	98-382	Cam shim .090" 36-87	25558-79	each		93-338	Rings 80" std. bore Hastings		pair
	98-383	Cam shim .095" 36-87	25559-79	each		93-339	Rings 80" +.010" Hastings		pair
	98-384	Cam shim .100" 36-87		each		93-340	Rings 80" +.020" Hastings		pair
108	78-377	Cam cover gasket	25225-36	pkg 5		93-341	Rings 80" +.030" Hastings		pair
109	98-305	Key 54-89	23985-54	each		93-342	Rings 80" +.040" Hastings		pair
110	98-89	Pinion gear spacer 54-89	24703-54B	each	141	206-25	Motor case 70-84 large bore breather, 74" & 80"		assy
111	98-495	Breather gear 48-77 std.	25313-73	each	142	41-997	Oil pump plug set w/Oring 70-80		set
	98-496	Breather gear 48-77 +.030"	25313-73	each	143	41-998	Oil pump plug set w/Oring 81 & ltr		set
112	98-75	Breather gear spacer .110"	25316-52	each		41-989	Oil pump mounting hardware 36-67		kit
	98-76	Breather gear spacer .115"	25313-50	each					
	98-77	Breather gear spacer .120"	25314-50	each					
	98-78	Breather gear spacer .125"	25315-50	each					
113	98-302	Pinion gear shaft nut 54-89	24023-54	each					
114	95-342	Bushing, gear shaft 54-73	25582-54	each					
115	98-487	Dowel, cam cover 30 & ltr	275	each					

CONTACT INFO

MIDWEST MOTORCYCLE SUPPLY

2100 Highway Z

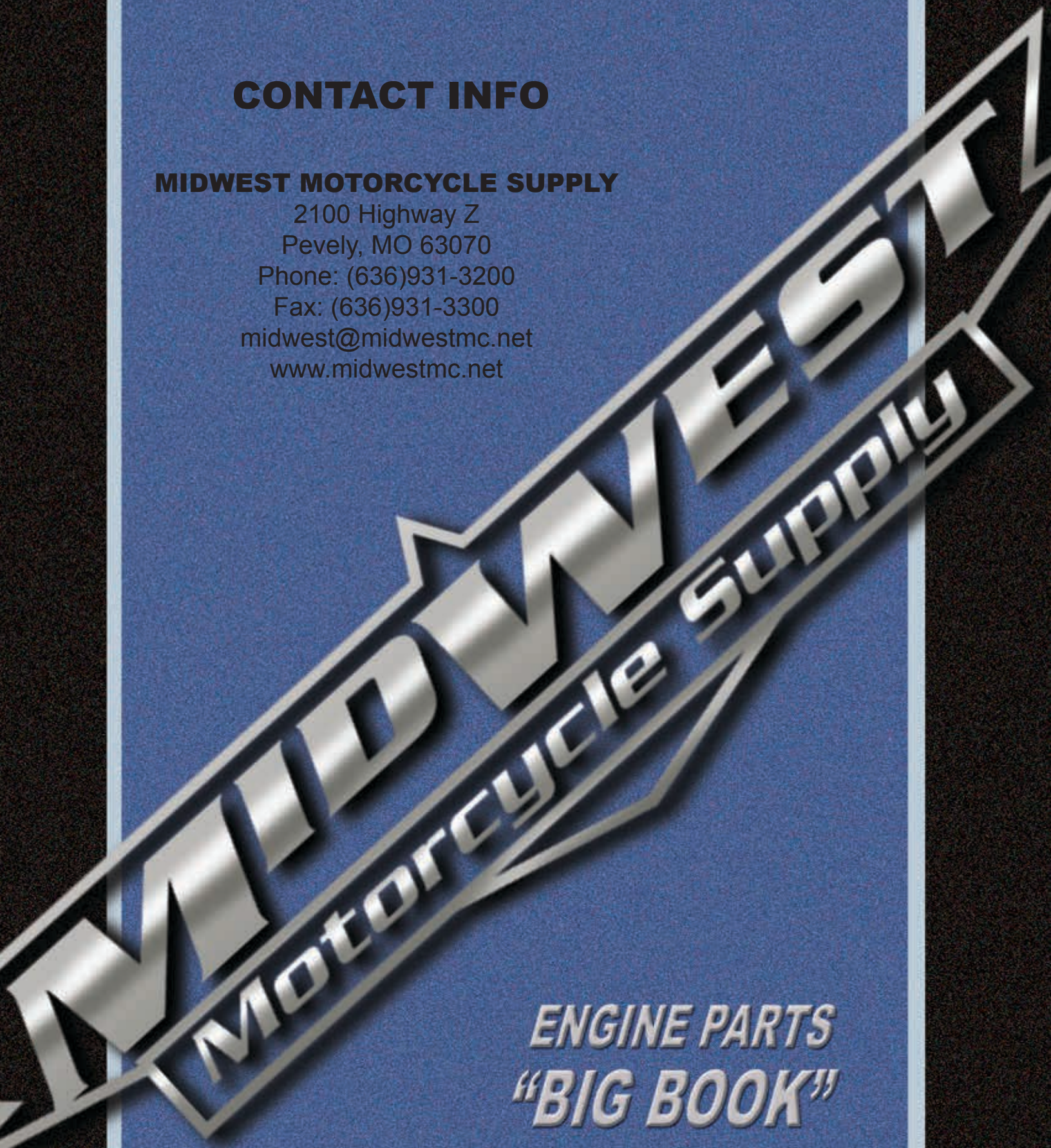
Pevely, MO 63070

Phone: (636)931-3200

Fax: (636)931-3300

midwest@midwestmc.net

www.midwestmc.net



*ENGINE PARTS
"BIG BOOK"*